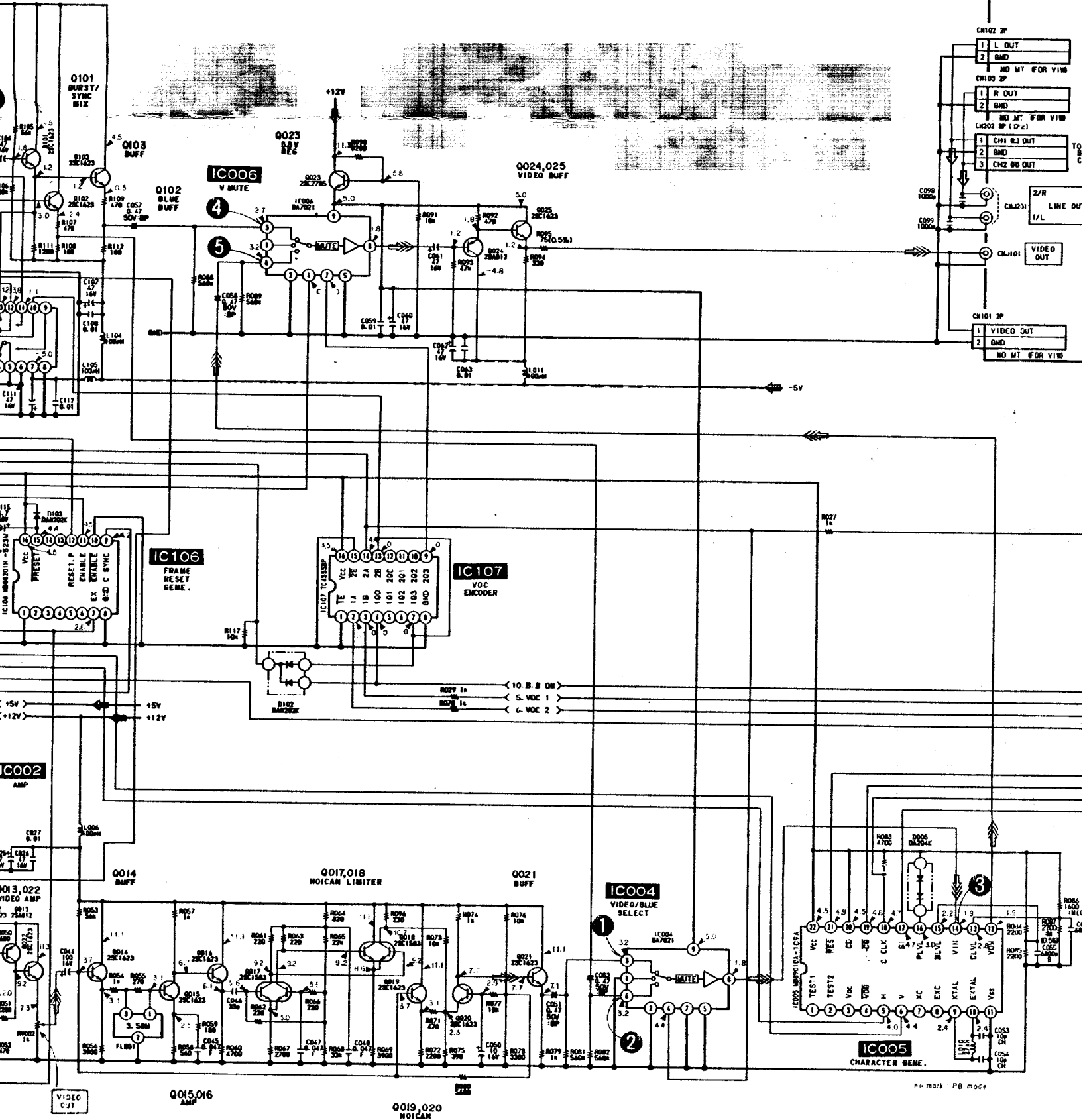
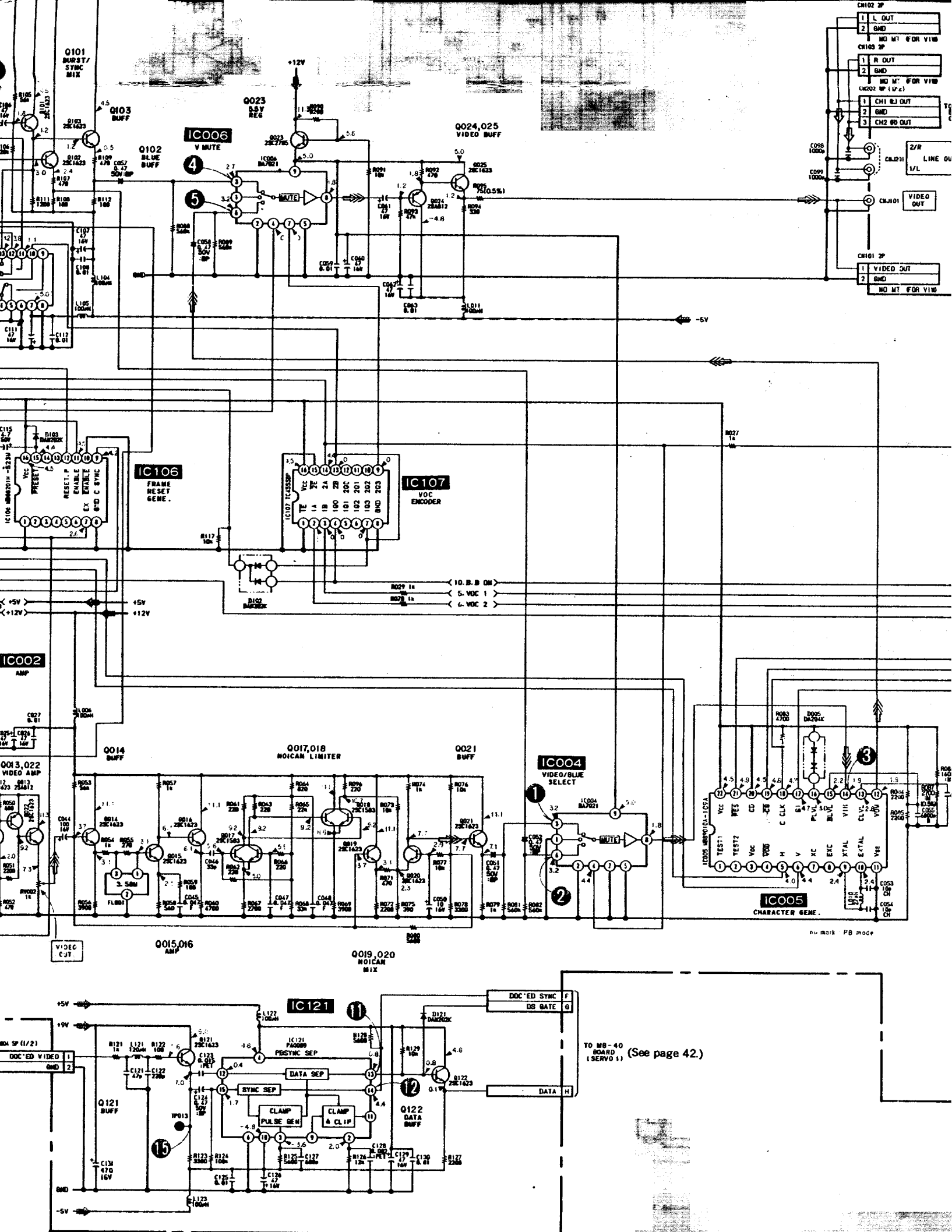
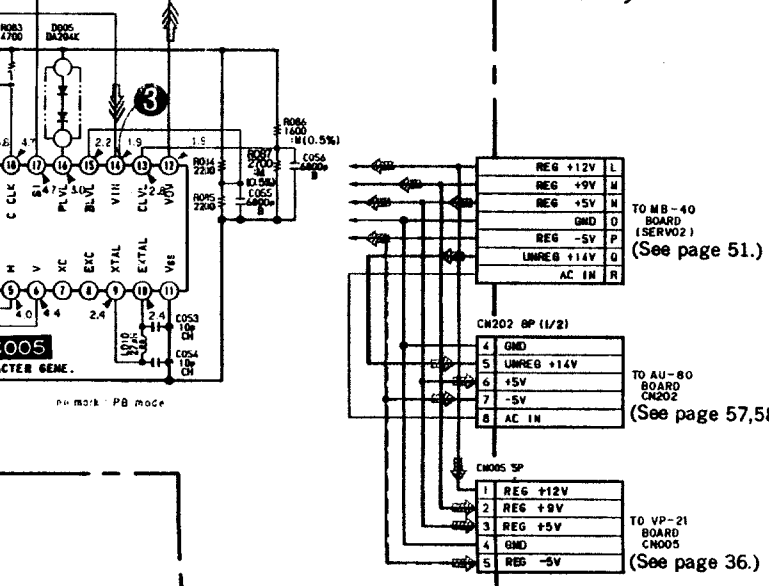
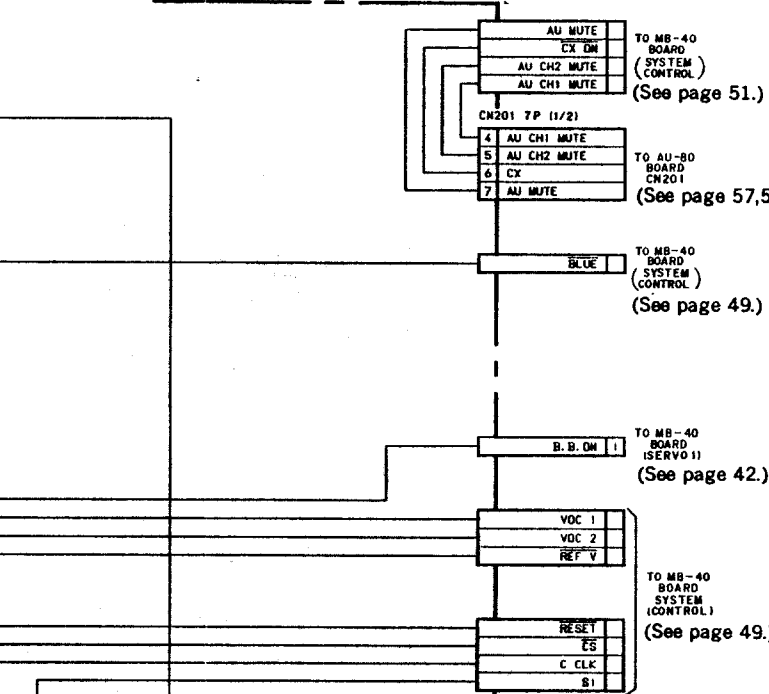
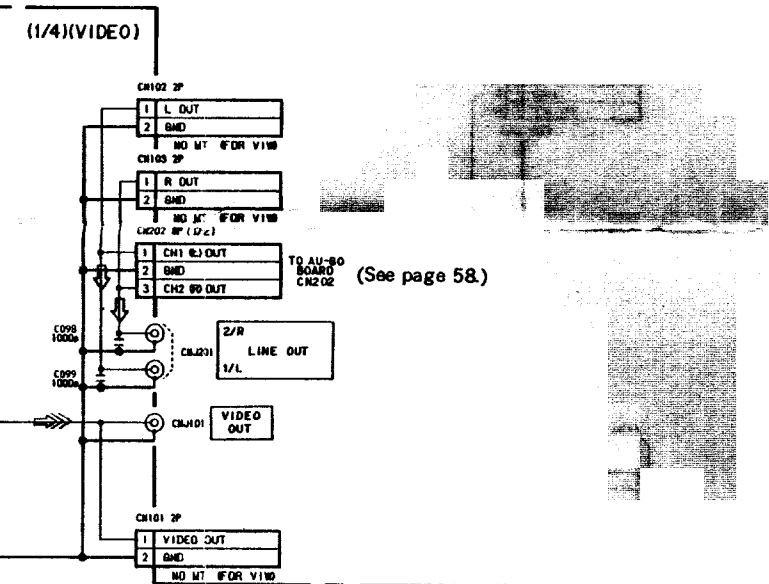


MB-40 (1/4)(VIDEO)

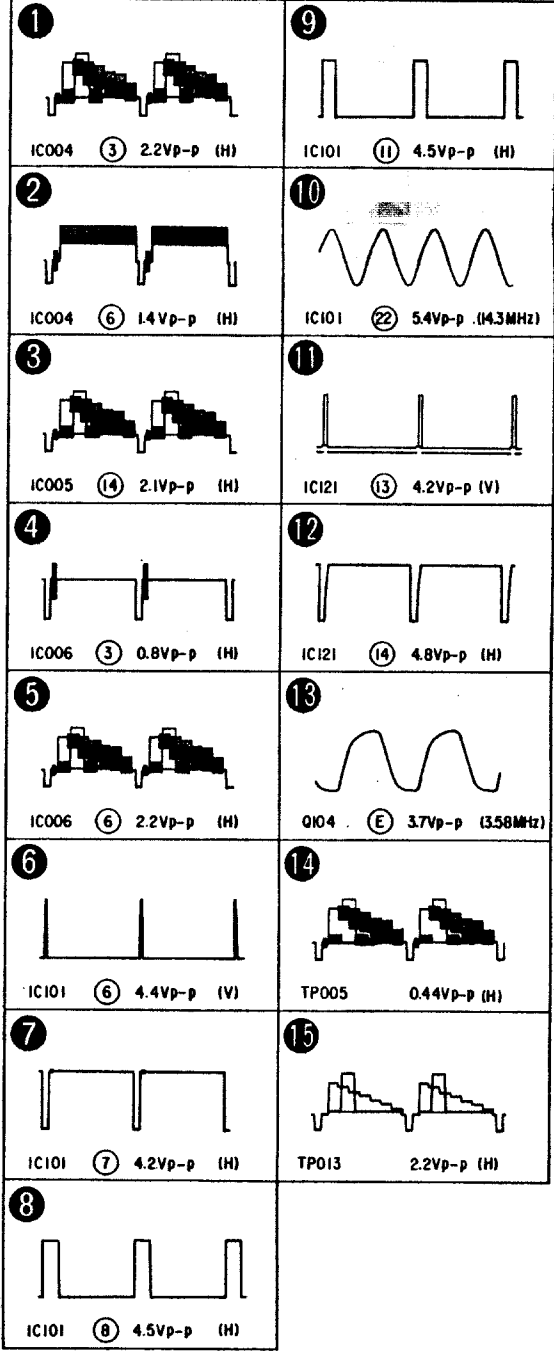


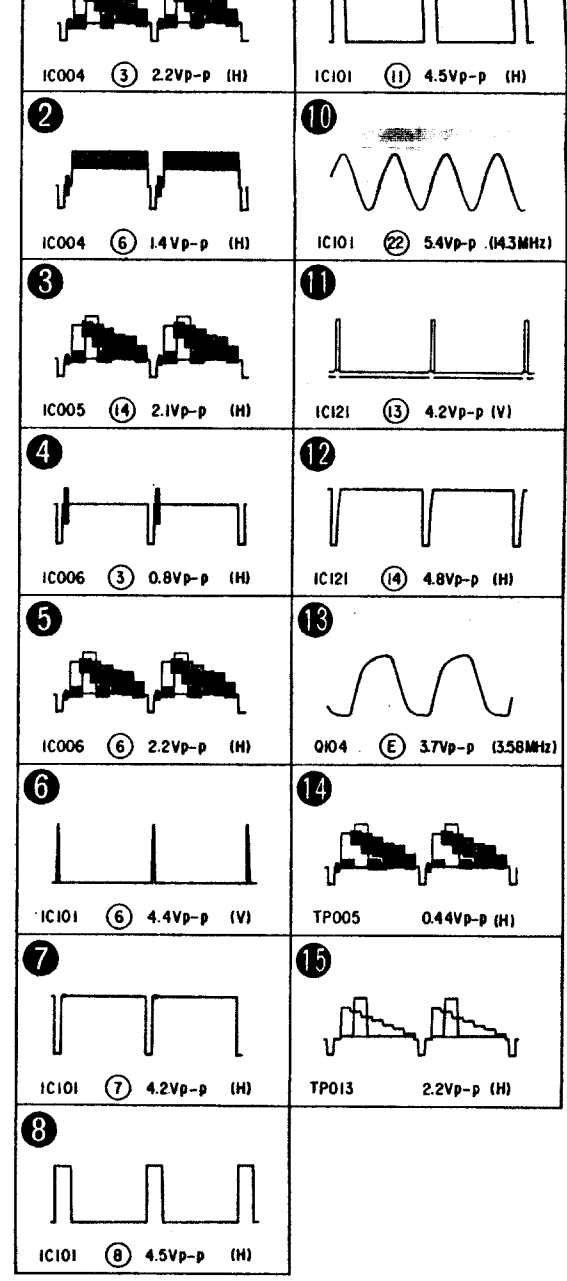
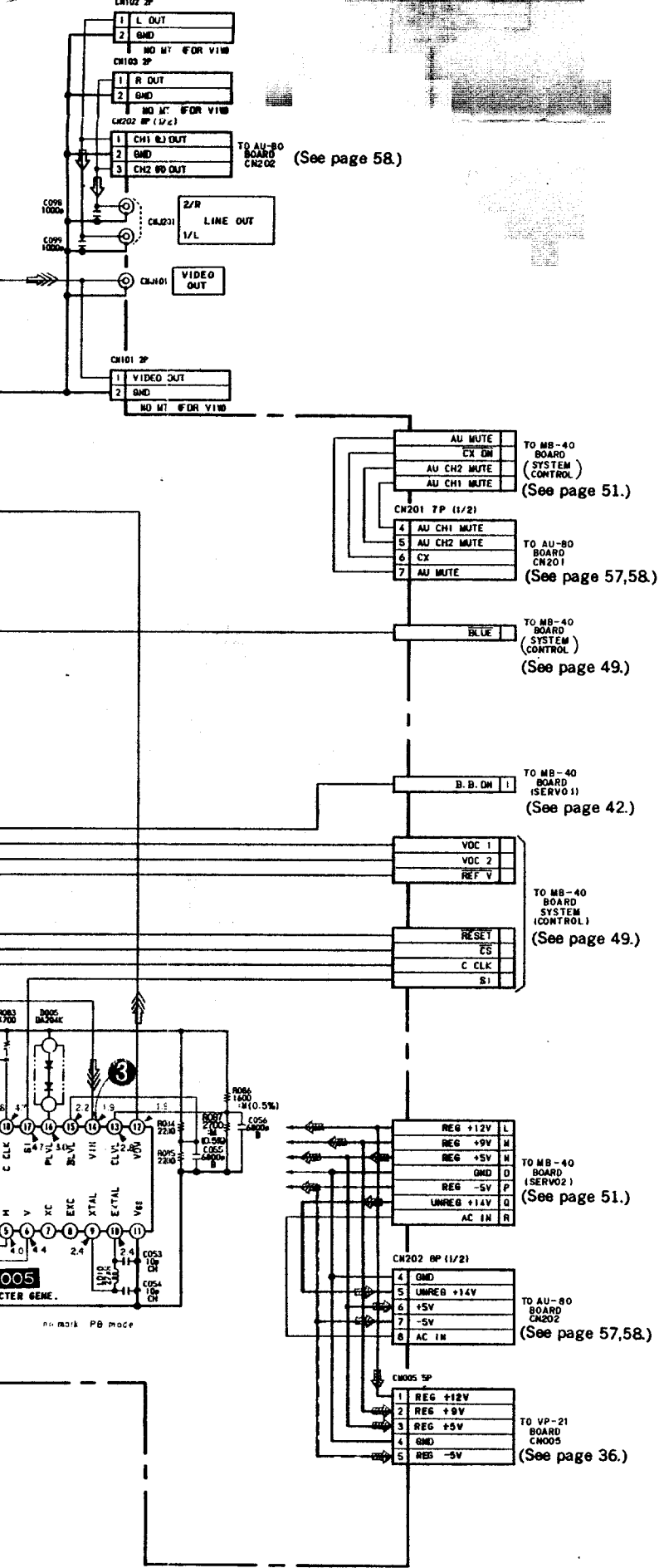
Pin mark PB mode





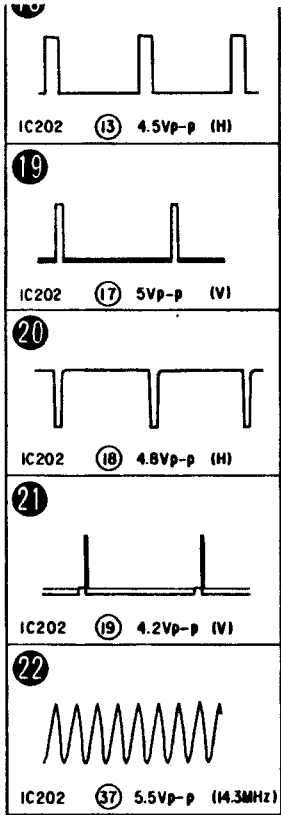
MB-40 BOARD (VIDEO)



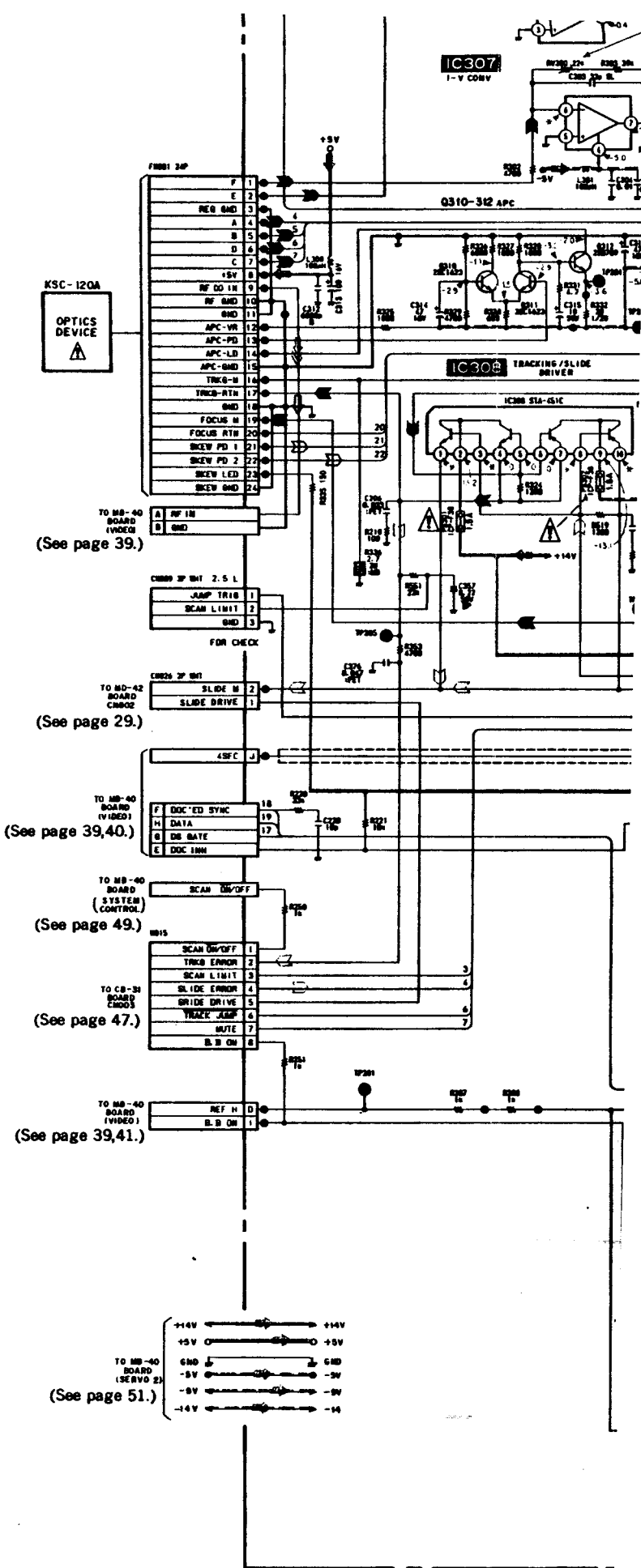


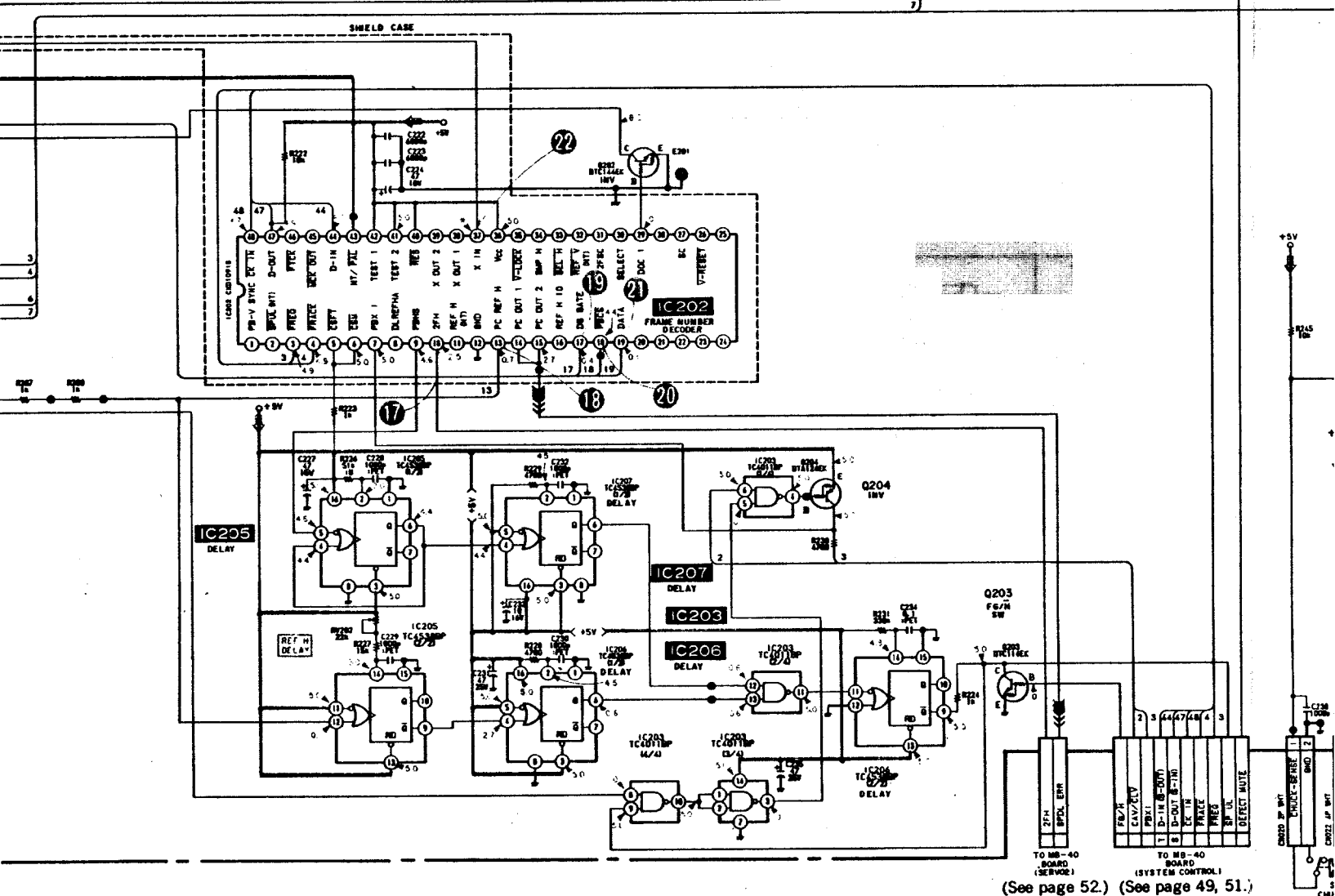
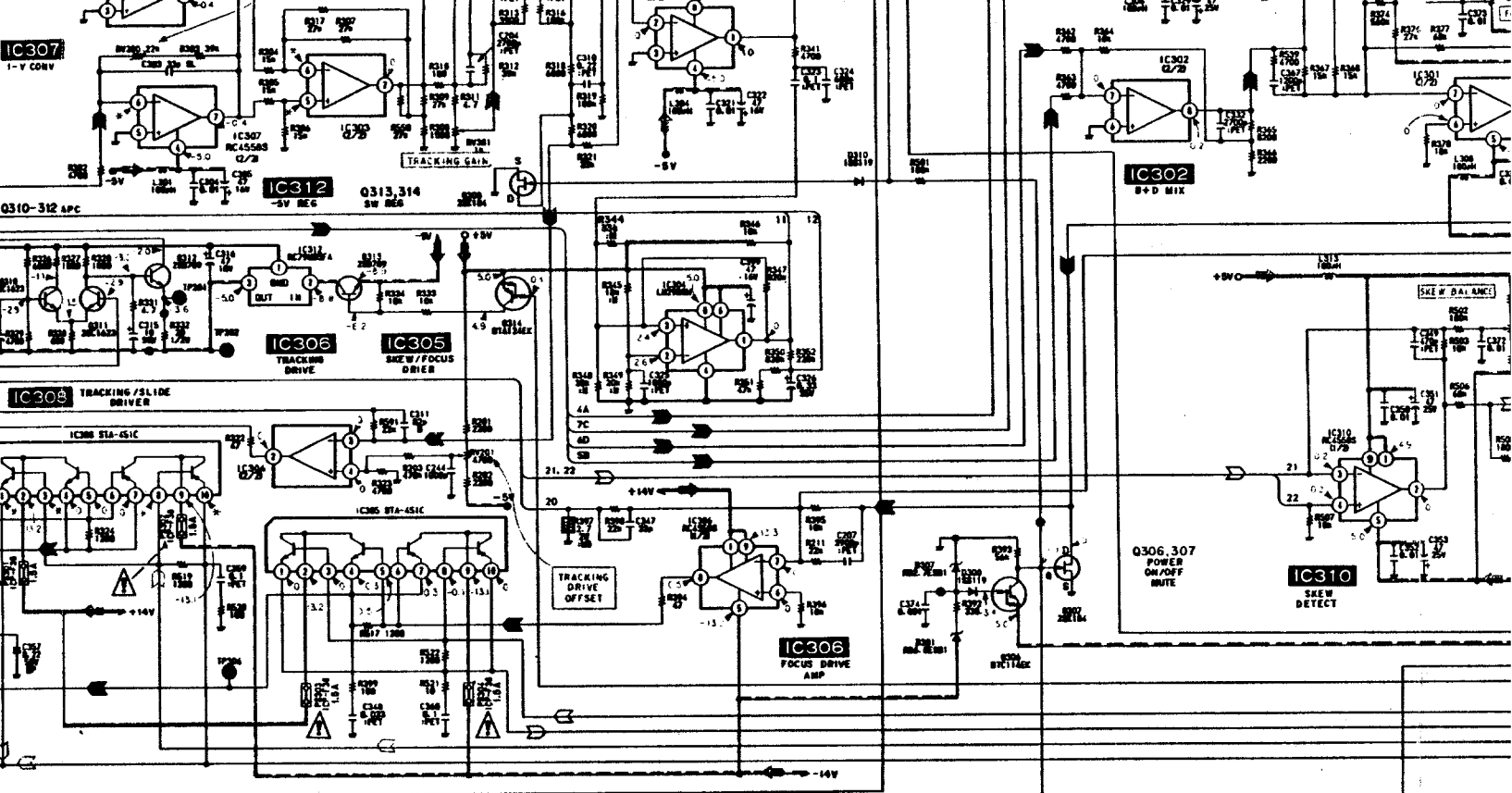
• Signal path

	VIDEO Signal			AUDIO Signal
	CHROMA	Y	Y/CHROMA	
PB			⇒⇒⇒	⇒

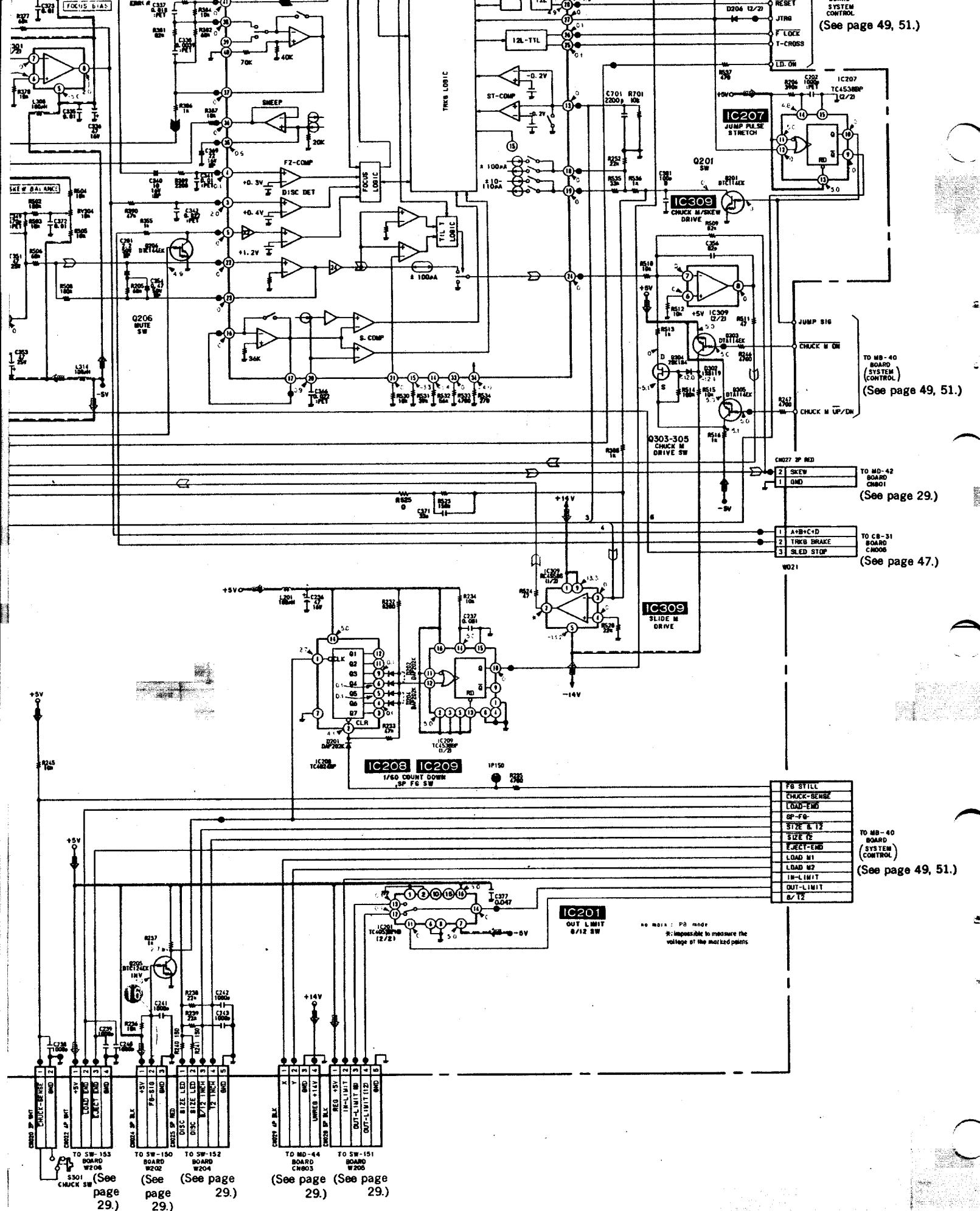


C
D
E
F
G
H
I
J
K
L
M





(See page 52.) (See page 49, 51.)



(See page 49, 51.)

TO MB-40 BOARD (SYSTEM CONTROL) (See page 49, 51.)

TO MB-42 BOARD (CH01) (See page 29.)

TO MB-44 BOARD (CH03) (See page 47.)

TO MB-40 BOARD (SYSTEM CONTROL) (See page 49, 51.)

SERVO (1) SERVO (1)

MB-40 1-634-257-

