

**5.8 W DUAL AUDIO  
POWER AMPLIFIER**

**MB3722**

February 1989  
Edition 1.0

**5.8W DUAL AUDIO POWER AMPLIFIER**

The Fujitsu MB3722 is designed for a dual low-frequency high-power amplifier which is packed in 12 pin single in line plastic package. The MB3722 requires a few external components, this enables high density mounting. Design for heat radiation is easy because thermal resistance is low.

The MB3722 contains internal power-on pop noise protection circuitry and various protection circuitry. The device is suitable best for car-stereo.

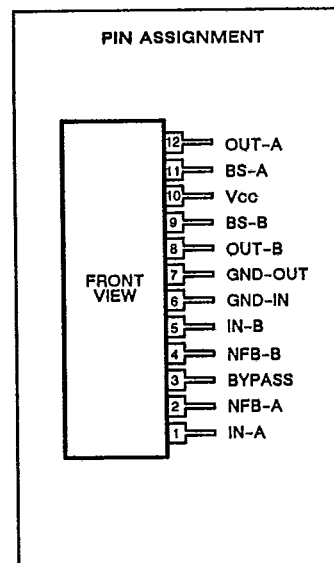
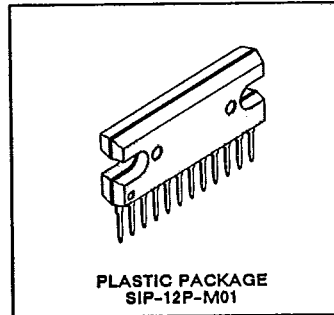
- High power output: 5.8 W typ.
- Low Noise Output Voltage: 0.8 mV typ.
- Low Total Harmonic Distortion: 0.2 % typ.
- Minimum external components
- On chip power on pop noise protection circuit
- Audio mute function is provided
- Separated GND pins for Input/Output circuit
- Various protection circuits
  - Over voltage protection
  - Thermal protection
  - Load short protection
  - Output pin-to-DC short protection

**ABSOLUTE MAXIMUM RATINGS (see NOTE) (Tc = 25°C)**

| Rating                           | Symbol | Value       | Unit |
|----------------------------------|--------|-------------|------|
| Power Supply Voltage (No signal) | Vccoc  | 24          | V    |
| Power Supply Voltage (Operation) | Vcc    | 18          | V    |
| Power Supply Voltage (Surge)     | Vccs   | 40 *        | V    |
| Output Current (Peak)            | IOPEAK | 4.5         | A    |
| Power Dissipation                | PO     | 18          | W    |
| Operating Temperature(Case)      | Tc     | -20 to +75  | °C   |
| Storage Temperature              | TSTG   | -55 to +150 | °C   |

NOTE: \* ts ≤ 0.2 sec, tr ≥ 1 msec

Permanent device damage may occur if the above Absolute Maximum Ratings are exceeded. Functional operation should be restricted to the conditions as detailed in the operational sections of this data sheet. Exposure to absolute maximum rating conditions for extended periods may affect device reliability.



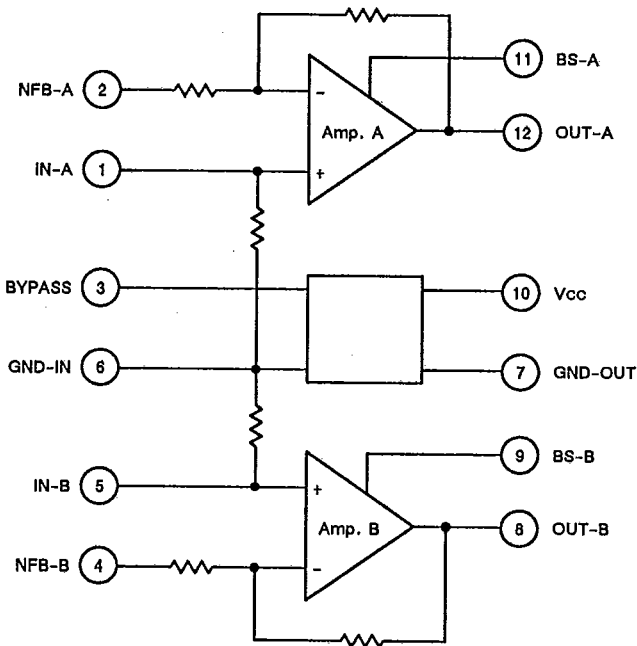
This device contains circuitry to protect the inputs against damage due to high static voltages or electric fields. However, it is advised that normal precautions be taken to avoid application of any voltage higher than maximum rated voltages to this high impedance circuit.



MB3722

T-74-05-01

Fig. 1 — MB3722 BLOCK DIAGRAM



### RECOMMENDED OPERATING CONDITIONS

| Parameter             | Symbol         | Value      | Unit |
|-----------------------|----------------|------------|------|
| Power Supply Voltage  | Vcc            | 8 to 16    | V    |
| Operating Temperature | T <sub>c</sub> | -20 to +75 | °C   |
| Output Load           | R <sub>L</sub> | 2 to 8 *   | Ω    |

Note:  
\* Dual operation.

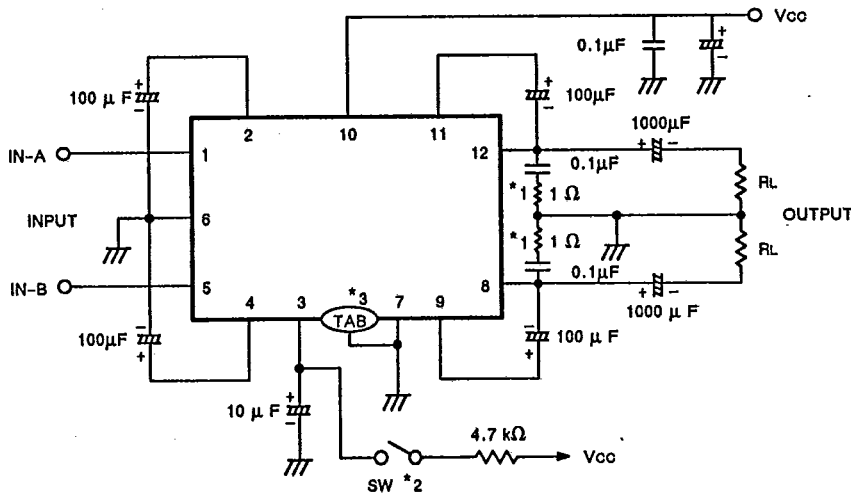
### ELECTRICAL CHARACTERISTICS

(Vcc = 13.2 V, f = 1 kHz, RL = 4Ω, Tc = 25°C, One channel operation)

| Parameter                      | Symbol | Condition                     | Value |      |      | Unit |
|--------------------------------|--------|-------------------------------|-------|------|------|------|
|                                |        |                               | Min   | Typ  | Max  |      |
| Quiescent Power Supply Current | Iq     | VIN=0V                        |       | 80   | 160  | mA   |
| Voltage Gain                   | AV     | Po=1W                         | 48.5  | 50.5 | 52.5 | dB   |
| Difference Voltage Gain        | ΔAV    | Po=1W                         |       | 0    | 1.5  | dB   |
| Output Power                   | Po     | THD=10%                       | 5.0   | 5.8  |      | W    |
| Total Harmonic Distortion      | THD    | Po=1W                         |       | 0.2  | 1.0  | %    |
| Output Noise Voltage           | VNo    | Rg=10kΩ, BW = 20 Hz to 20 kHz |       | 0.8  | 1.6  | mV   |
| Input Resistance               | RIN    |                               | 20    | 30   |      | kΩ   |
| Cross Talk                     |        | Rg=600Ω                       | 40    | 50   |      | dB   |
| Audio Mute Attenuation         |        | Rg=600Ω                       |       | 40   |      | dB   |



Fig. 2 -- TYPICAL APPLICATION EXAMPLE



**Notes:**

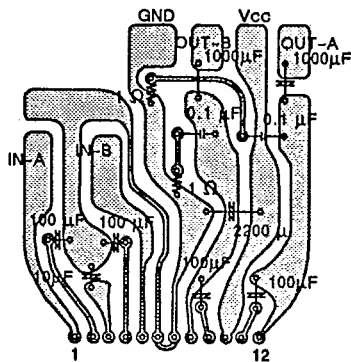
- \*1 Use Mylar condenser.
- \*2 When Vcc is apply to the pin 3, Audio mute (40dB) is available.
- \*3 The TAB should be connected with the GND.



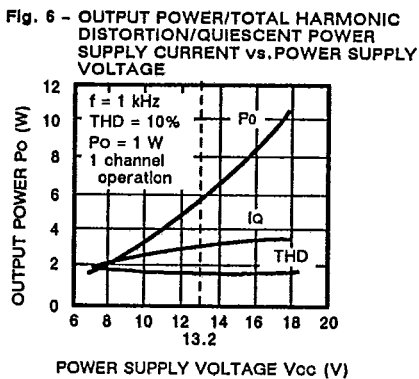
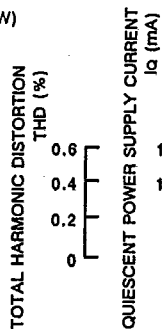
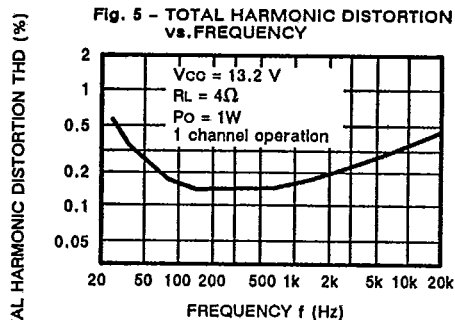
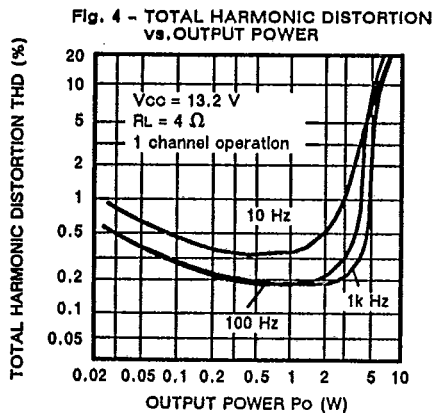
MB3722

T-74-05-01

Fig. 3 — TYPICAL APPLICATION CIRCUIT PATTERN (BOTTOM VIEW)



TYPICAL CHARACTERISTICS CURVES



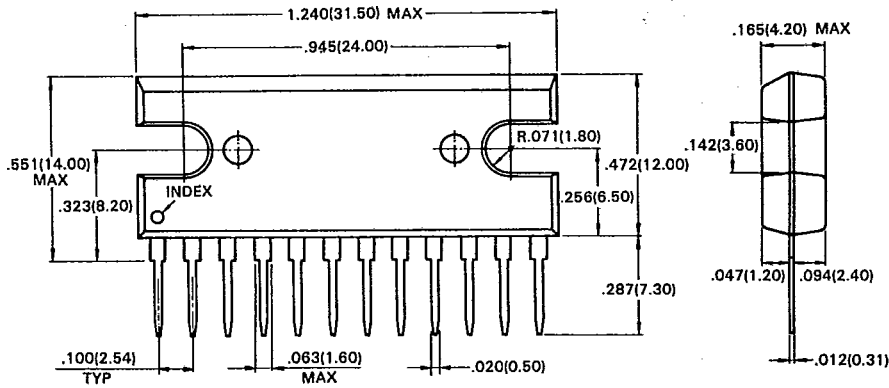


MB3722



### 12-LEAD PLASTIC SINGLE IN-LINE PACKAGE

(Case No. : SIP-12P-M01)



©1988 FUJITSU LIMITED S12001S-3C

Dimensions in  
inches (millimeters)