

8

9

10

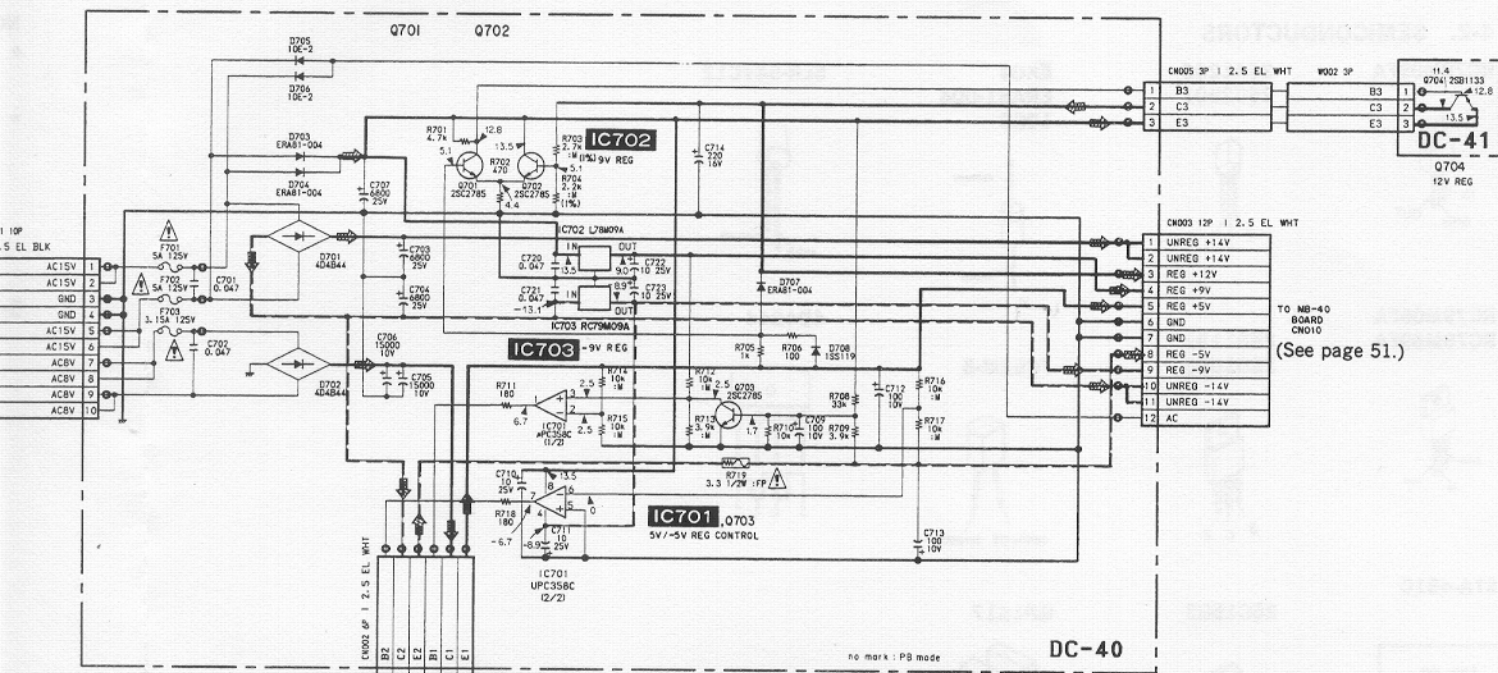
11

12

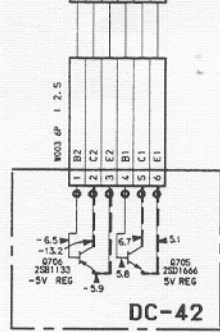
13

14

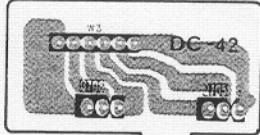
15



TO MB-40 BOARD
CN010
(See page 51.)



DC-42 BOARD



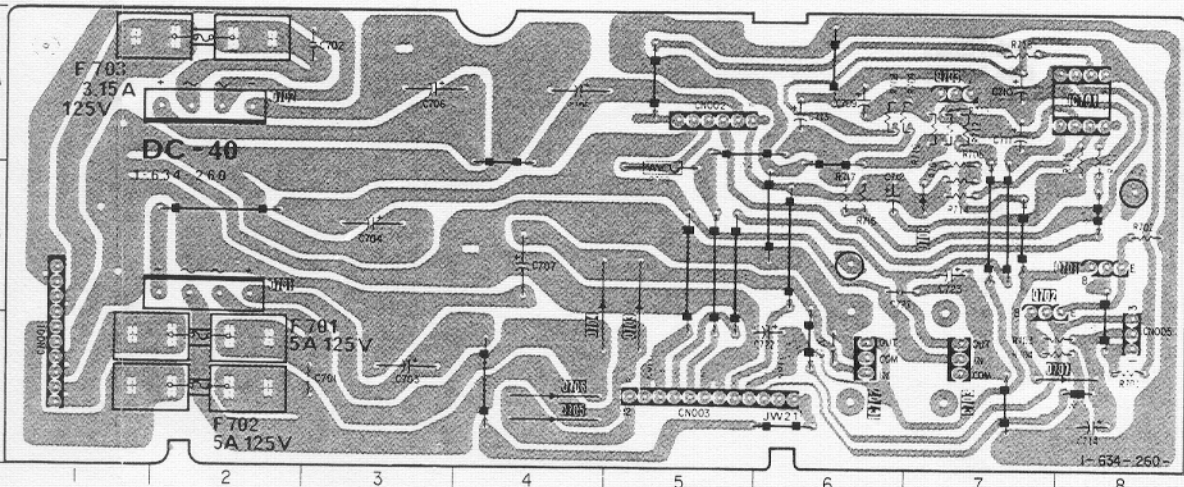
I-634-262- II

DC-41 BOARD



I-634-261- II

DC-40 BOARD



- D701 B-2
- D702 A-2
- D703 B-5
- D704 B-4
- D705 C-4
- D706 C-4
- D707 C-8
- D708 B-7

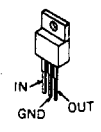
- IC701 A-8
- IC702 C-6
- IC703 C-7

- Q701 B-8
- Q702 B-7
- Q703 A-7

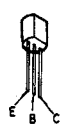
I-634-260- II

4-2. SEMICONDUCTORS

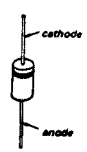
RC78M09FA



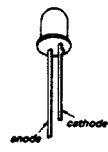
**2SA1206
2SC2901**



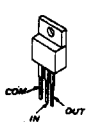
**EK04
ERA81-004
10E2**



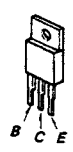
SLR-54VC12



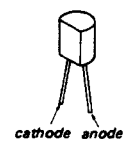
**RC79M05FA
RC79M09FA**



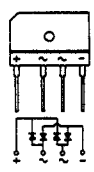
**2SB1133
2SD1666**



FC52M-5



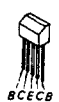
4D4B44



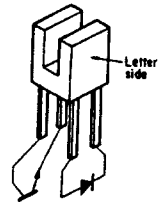
STA-451C



2SC1583



GP1S17



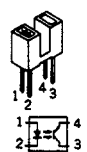
DTC124ES



2SD789



GP1S54



**2SA1015
2SC1815**



2SK184



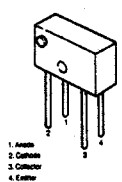
PY5504S-1



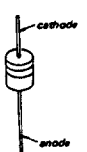
**2SA1175
2SC2785**



EE-SF5-B



**RD2.7ESB1
RD6.8ESB1
1SS119**


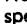



SECTION 5 EXPLODED VIEWS

NOTE:

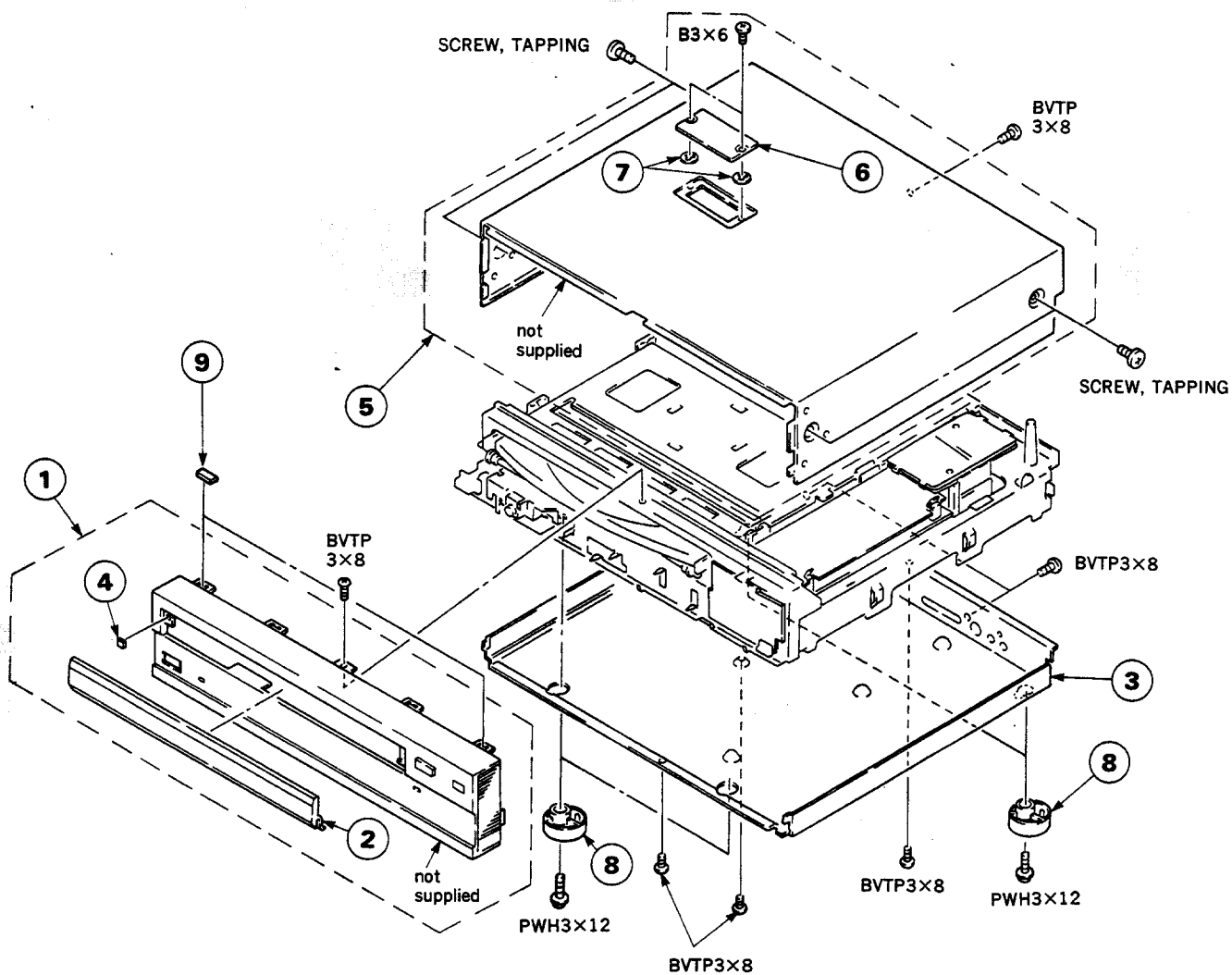
- The mechanical parts with no reference number in the exploded views are not supplied.
- Items marked "*" are not stocked since they are seldom required for routine service. Some delay should be anticipated when ordering these items.

- Due to standardization, parts with part number suffix -XX and -X may be different from the parts specified in the components used on the set.
- The construction parts of an assembled part are indicated with a collation number in the remark column.

The components identified by mark  or dotted line with mark  are critical for safety. Replace only with part number specified.

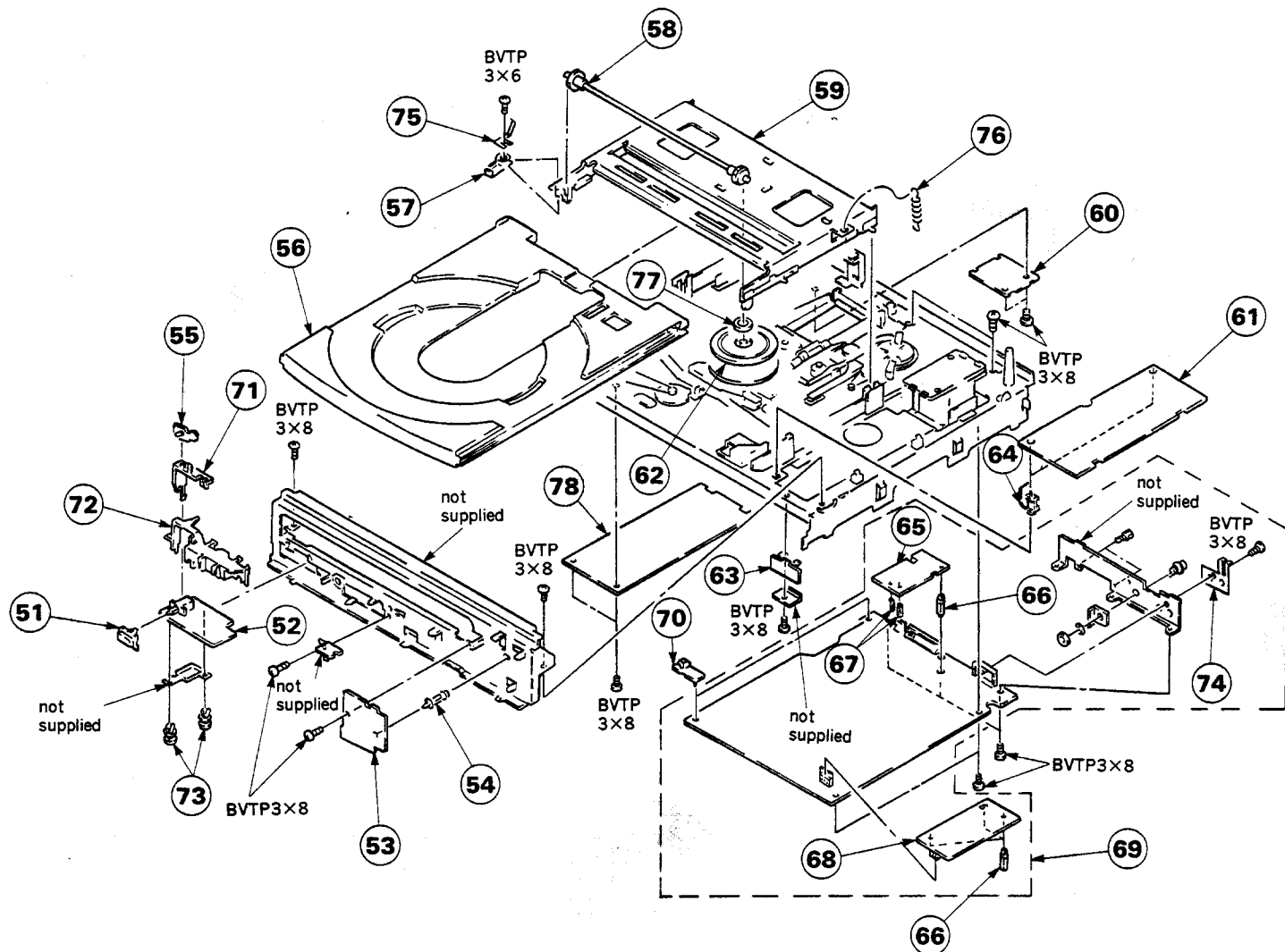
Les composants identifiés par une marque  sont critiques pour la sécurité. Ne les remplacer que par une pièce portant le numéro spécifié.

5-1. FRONT PANEL AND CABINET ASSEMBLIES

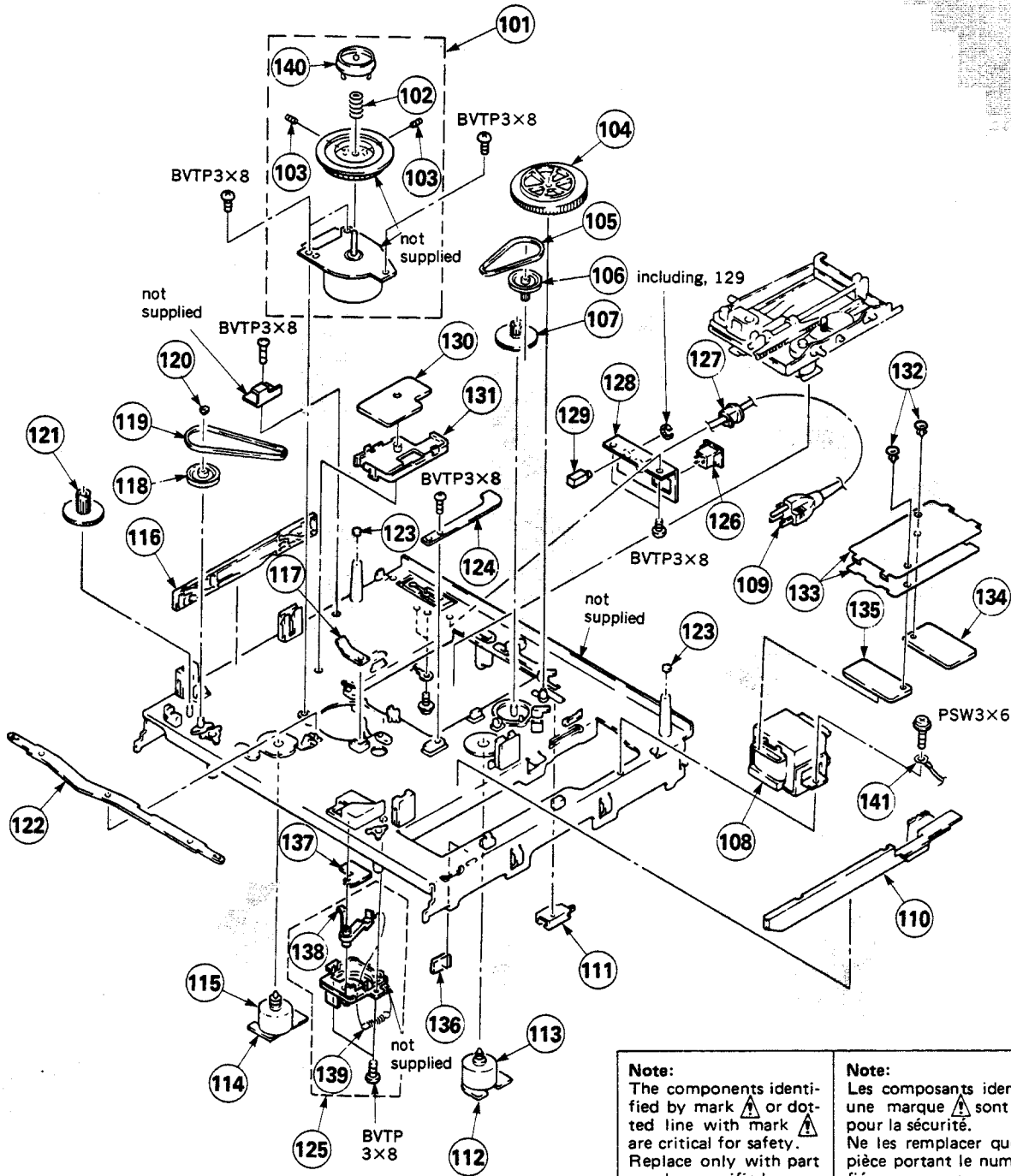


No.	Part No.	Description	Remark	No.	Part No.	Description	Remark
1	A-6408-157-B	PANEL ASSY, FRONT		6	3-694-986-02	COVER, WINDOW	
2	X-3688-280-2	DOOR ASSY, FRONT	2, 4	7	3-669-596-00	WASHER (2.3), STOPPER	
3	X-3688-279-1	PLATE ASSY, BOTTOM		8	3-713-334-11	FOOT	
4	3-684-461-01	MAGNET, POCKET LOCK		9	*9-911-840-XX	CUSHION	
5	A-6408-094-A	CASE ASSY, UPPER	6, 7				

5-2. TRAY ASSEMBLY



No.	Part No.	Description	Remark	No.	Part No.	Description	Remark
51	3-713-338-61	BUTTON, POWER		65	*A-6426-427-A	CB-31 BOARD, COMPLETE	
52	*1-634-265-11	PS-250 BOARD		66	*3-682-419-31	HOLDER, P. C. B	
53	*1-634-264-11	FP-300 BOARD		67	*3-682-419-11	HOLDER, P. C. B	
54	*3-680-767-00	SUPPORT, PC		68	*A-6421-427-A	AU-80 BOARD, COMPLETE	
55	*1-634-272-11	LD-35 BOARD		69	*A-6421-424-A	MB-40 BOARD, COMPLETE	65-68, 74
56	X-3688-257-1	TRAY ASSY		70	*3-701-832-00	HINGE, CIRCUIT BOARD	
57	*3-715-927-02	ARM, DOOR SWITCHING		71	*3-728-437-02	HOLDER, LED PC BOARD	
58	X-3713-202-1	GEAR ASSY, PHASE		72	3-715-933-01	HOLDER, HP	
59	*3-713-256-11	ARM (OUTSERT), CHUCK		73	3-531-576-11	RIVET	
60	*1-634-263-11	AC-80 BOARD		74	*3-710-374-01	PLATE, GROUND	
61	*A-6421-422-A	DC-40 BOARD, COMPLETE		75	3-715-905-01	SPRING	
62	*3-698-661-01	CHUCK		76	3-698-694-01	SPRING, TENSION	
63	*1-634-262-11	DC-42 BOARD		77	3-698-693-01	BEARING (1480ZZ), BALL	
64	*3-682-047-01	HOLDER (A), PC BOARD		78	*A-6421-425-A	VP-21 BOARD, COMPLETE	

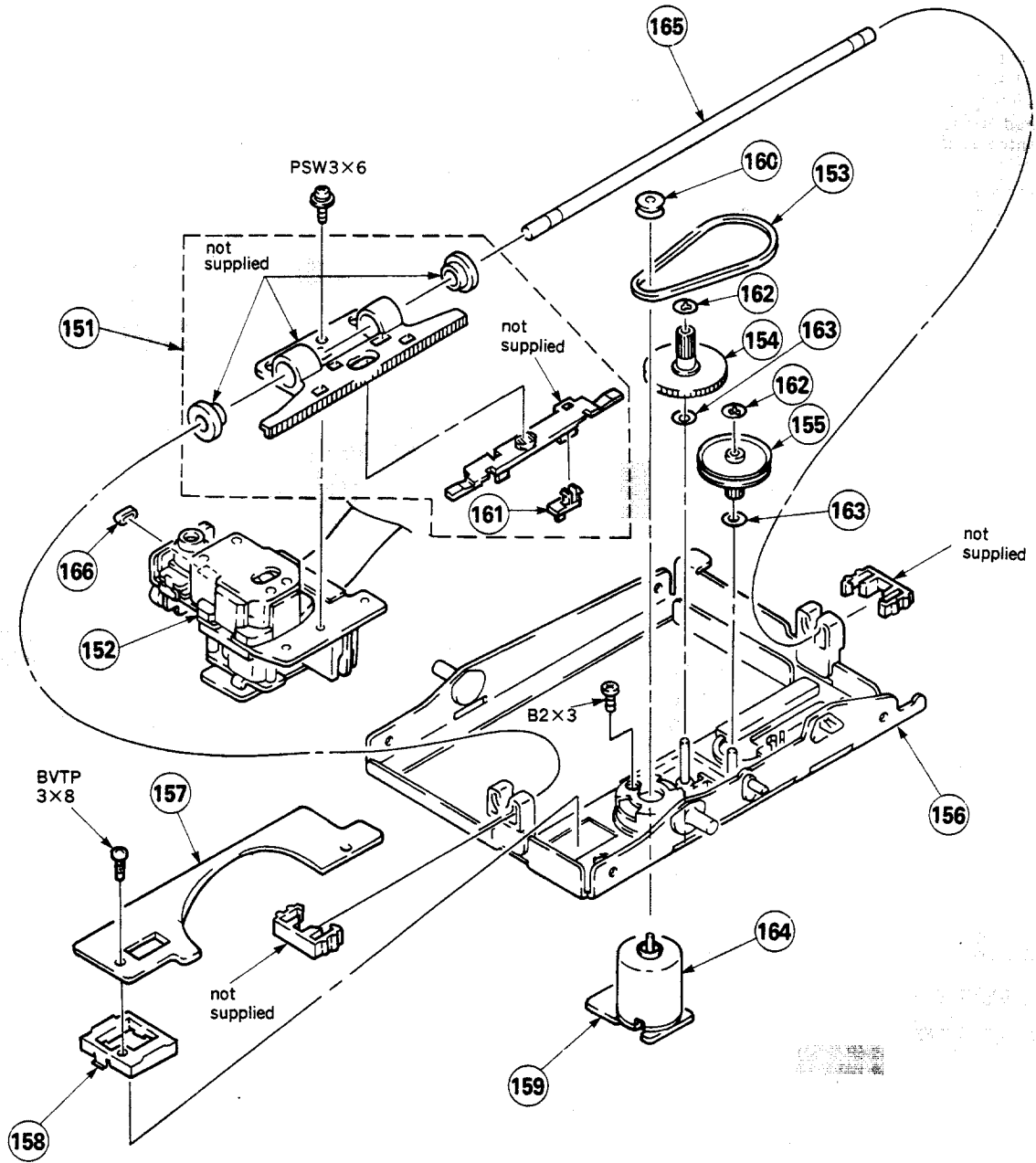


Note:
The components identified by mark Δ or dotted line with mark Δ are critical for safety. Replace only with part number specified.

Note:
Les composants identifiés par une marque Δ sont critiques pour la sécurité. Ne les remplacer que par une pièce portant le numéro spécifié.

No.	Part No.	Description	Remark	No.	Part No.	Description	Remark
101	A-6491-037-A	MOTOR ASSY, SPINDLE (M901)	102, 103, 140	122	3-713-282-01	PLATE, PHASE	
102	3-713-295-01	SPRING, COMPRESSION		123	3-713-326-01	STOPPER	
103	3-715-914-01	SCREW (WP) (M2.6X6)		124	3-713-327-01	SPRING	
104	3-713-286-11	CAM, DRIVING		125	X-3688-274-4	SWITCH SUB ASSY, O/C	138, 139
105	3-307-366-00	BELT, FAST FORWARD		126	Δ 1-526-920-12	AC OUTLET (WITH EARTH)	
106	3-713-317-01	PULLEY		127	Δ 2-045-063-01	STOPPER, CORD	
107	3-713-287-11	GEAR (C)		128	3-698-669-04	BRACKET, OUTLET	
108	Δ 1-449-667-11	TRANSFORMER, POWER (PT031)		129	1-507-195-21	SPECIAL REMOTE CONTROL JACK (J301)	
109	Δ 1-534-517-81	CORD, POWER (SJT)		130	*1-634-270-11	SW-152 BOARD	
110	3-713-281-01	RACK (RIGHT)		131	*3-728-446-01	HOLDER, SW PC BOARD	
111	1-570-810-11	SWITCH, PUSH (1 KEY) (CHUCK) (S301)		132	3-531-576-11	RIVET	
112	*1-634-274-11	MD-43 BOARD		133	*X-3688-275-1	SHEET ASSY, INSULATING	
113	X-3713-206-1	MOTOR BLOCK ASSY, SKEW (M902)		134	*1-634-266-11	PW-90 BOARD	
114	*1-634-275-11	MD-44 BOARD		135	*1-634-267-11	PW-91 BOARD	
115	X-3713-208-1	MOTOR ASSY, LD (M903)		136	*1-634-261-11	DC-41 BOARD	
116	3-713-280-03	RACK (LEFT)		137	*1-634-271-11	SW-153 BOARD	
117	*1-634-268-11	SW-150 BOARD		138	3-728-433-01	SHUTTER, SWITCH, O/C	
118	3-713-289-01	PULLEY (A)		139	3-578-393-00	SPRING, TENSION	
119	3-657-035-XX	BELT, RM		140	X-3688-254-4	GUIDE ASSY, CENTER	
120	*4-910-418-01	BUSHING (DIA. 4)		141	1-535-316-11	TERMINAL, GROUND (M4)	
121	3-713-290-01	GEAR (A), DRIVING					

5-4. BASE ASSEMBLY



<p>Note: The components identified by mark \triangle or dotted line with mark \triangle are critical for safety. Replace only with part number specified.</p>	<p>Note: Les composants identifiés par une marque \triangle sont critiques pour la sécurité. Ne les remplacer que par une pièce portant le numéro spécifié.</p>
--	---

No.	Part No.	Description	Remark	No.	Part No.	Description	Remark
151	*X-3688-271-4	RACK ASSY		159	*1-634-273-11	MD-42 BOARD	
152	\triangle 8-848-069-01	DEVICE, OPTICS KSC-120A		160	3-728-483-01	PULLEY, MOTOR	
153	3-728-485-01	BELT, TIMING		161	3-728-419-01	SHUTTER	
154	3-728-479-01	GEAR, PINION		162	3-669-465-00	WASHER (1.5), STOPPER	
155	3-728-482-01	PULLEY (A)		163	3-701-437-01	WASHER	
156	*X-3688-283-1	BASE ASSY, SKEW		164	1-541-659-11	MOTOR, SLIDE (M904)	
157	*1-634-269-11	SW-151 BOARD		165	*X-3688-277-1	SHAFT ASSY, FEED	
158	3-698-672-03	TABEL, SWITCH		166	3-745-402-01	RUBBER, STOPPER	
			161				

SECTION 6 ELECTRICAL PARTS LIST

DC-40

PS-250

LD-35

NOTE:

- Due to standardization, replacements in the parts list may be different from the parts specified in the diagrams or the components used on the set.
- Items marked "*" are not stocked since they are seldom required for routine service. Some delay should be anticipated when ordering these items.
- If there are two or more same circuits in a set such as a stereophonic machine, only typical circuit parts may be indicated and capacitors and resistors in other same circuits may be omitted.

CAPACITORS:
MF: μ F, PF: μ μ F.

RESISTORS
• All resistors are in ohms.
• F: nonflammable

COILS
• MMH: mH, UH: μ H

SEMICONDUCTORS
In each case, U: μ , for example:
UA....: μ A...., UPA....: μ PA....,
UPC....: μ PC, UPD....: μ PD....

The components identified by mark Δ or dotted line with mark Δ are critical for safety. Replace only with part number specified.

Les composants identifiés par une marque Δ sont critiques pour la sécurité. Ne les remplacer que par une pièce portant le numéro spécifié.

When indicating parts by reference number, please include the board name.

No.	Part No.	Description	Remark
	*A-6421-422-A	DC-40 BOARD, COMPLETE (Ref. No. 6000 Series)	

Δ 1-533-189-11	HOLDER, FUSE
*3-309-144-21	HEAT SINK
7-685-646-79	SCREW BVTP 3X8 TYPE2 SLIT
7-685-648-79	SCREW BVTP 3X12 TYPE2 SLIT

CAPACITOR

C701	1-161-059-00	CERAMIC	0.047MF	10%	50V
C702	1-161-059-00	CERAMIC	0.047MF	10%	50V
C703	1-124-771-00	ELECT	6800MF	20%	25V
C704	1-124-771-00	ELECT	6800MF	20%	25V
C705	1-126-091-11	ELECT	15000MF	20%	10V
C706	1-126-091-11	ELECT	15000MF	20%	10V
C707	1-124-771-00	ELECT	6800MF	20%	25V
C709	1-124-443-00	ELECT	100MF	20%	10V
C710	1-126-096-11	ELECT	10MF	20%	25V
C711	1-126-096-11	ELECT	10MF	20%	25V
C712	1-124-443-00	ELECT	100MF	20%	10V
C713	1-124-443-00	ELECT	100MF	20%	10V
C714	1-124-120-11	ELECT	220MF	20%	16V
C720	1-161-059-00	CERAMIC	0.047MF	10%	50V
C721	1-161-059-00	CERAMIC	0.047MF	10%	50V
C722	1-126-096-11	ELECT	10MF	20%	25V
C723	1-126-096-11	ELECT	10MF	20%	25V

CONNECTOR

CN001	*1-560-898-00	PIN, CONNECTOR 10P
CN002	*1-560-894-00	PIN, CONNECTOR 6P
CN003	*1-560-900-00	PIN, CONNECTOR 12P
CN005	*1-560-891-00	PIN, CONNECTOR 3P

DIODE

D701	8-719-801-74	DIODE 4D4B44
D702	8-719-801-74	DIODE 4D4B44
D703	8-719-981-01	DIODE ERA81-004
D704	8-719-981-01	DIODE ERA81-004
D705	8-719-200-02	DIODE 10E-2
D706	8-719-200-02	DIODE 10E-2
D707	8-719-981-01	DIODE ERA81-004
D708	8-719-911-19	DIODE 1SS119

FUSE

F701	Δ 1-532-747-11	FUSE, GLASS TUBE (5A 125V)
F702	Δ 1-532-747-11	FUSE, GLASS TUBE (5A 125V)
F703	Δ 1-532-745-11	FUSE, GLASS TUBE (3.15A 125V)

IC

IC701	8-759-135-80	IC UPC358C
IC702	8-759-982-34	IC RC78M09FA
IC703	8-759-982-54	IC RC79M09FA

No.	Part No.	Description	Remark
TRANSISTOR			
Q701	8-729-119-78	TRANSISTOR 2SC2785-HFE	
Q702	8-729-119-78	TRANSISTOR 2SC2785-HFE	
Q703	8-729-119-78	TRANSISTOR 2SC2785-HFE	
RESISTOR			
R701	1-249-425-11	CARBON	4.7K 5% 1/4W
R702	1-249-413-11	CARBON	470 5% 1/4W
R703	1-215-431-00	METAL	2.7K 1% 1/6W
R704	1-215-429-00	METAL	2.2K 1% 1/6W
R705	1-249-417-11	CARBON	1K 5% 1/4W
R706	1-249-405-11	CARBON	100 5% 1/4W
R708	1-249-435-11	CARBON	33K 5% 1/4W
R709	1-249-424-11	CARBON	3.9K 5% 1/4W
R710	1-249-429-11	CARBON	10K 5% 1/4W
R711	1-249-408-11	CARBON	180 5% 1/4W
R712	1-215-445-00	METAL	10K 1% 1/6W
R713	1-215-435-00	METAL	3.9K 1% 1/6W
R714	1-215-445-00	METAL	10K 1% 1/6W
R715	1-215-445-00	METAL	10K 1% 1/6W
R716	1-215-445-00	METAL	10K 1% 1/6W
R717	1-215-445-00	METAL	10K 1% 1/6W
R718	1-249-408-11	CARBON	180 5% 1/4W
R719	Δ 1-212-946-51	FUSIBLE	3.3 5% 1/2W F

*1-634-265-11 PS-250 BOARD (Ref. No. 8000 Series)

3-715-933-01 HOLDER, HP

CONNECTOR

CN021	*1-506-467-11	PIN, CONNECTOR 2P
CN022	*1-506-467-11	PIN, CONNECTOR 2P

SWITCH

S021	Δ 1-554-920-11	SWITCH, PUSH (AC POWER)(1 KEY) (POWER)
------	-----------------------	--

*1-634-272-11 LD-35 BOARD (Ref. No. 8000 Series)

*3-728-437-02 HOLDER, LED, PC BOARD

DIODE

D021	8-719-955-04	DIODE PY5504S-1 (POWER)
------	--------------	-------------------------

No.	Part No.	Description	Remark	No.	Part No.	Description	Remark
A-6421-424-A MB-40 BOARD, COMPLETE (Ref. No. 7000 Series)				C056	1-163-019-00	CERAMIC CHIP	0.0068MF 10% 50V
*****				C057	1-126-529-11	ELECT	0.47MF 20% 50V
Including the AU-80				C058	1-126-529-11	ELECT	0.47MF 20% 50V
and CB-31 boards				C059	1-164-232-11	CERAMIC CHIP	0.01MF 50V
1-540-044-11	SOCKET IC 64P (IC901)			C060	1-124-477-11	ELECT	47MF 20% 16V
*3-309-144-21	HEAT SINK			C061	1-124-477-11	ELECT	47MF 20% 16V
*3-682-419-11	HOLDER, P.C.B			C062	1-124-477-11	ELECT	47MF 20% 16V
*3-682-419-31	HOLDER, P.C.B			C063	1-164-232-11	CERAMIC CHIP	0.01MF 50V
*3-710-374-01	PLATE, GROUND			C098	1-163-141-00	CERAMIC CHIP	0.001MF 5% 50V
*7-685-646-79	SCREW +BVTP 3X8 TYPE2 IT-3			C099	1-163-141-00	CERAMIC CHIP	0.001MF 5% 50V
CAPACITOR				C101	1-163-099-00	CERAMIC CHIP	18PF 5% 50V
C001	1-126-160-11	ELECT	1MF 20% 50V	C102	1-163-099-00	CERAMIC CHIP	18PF 5% 50V
C002	1-163-019-00	CERAMIC CHIP	0.0068MF 10% 50V	C103	1-124-589-11	ELECT	47MF 20% 16V
C003	1-126-160-11	ELECT	1MF 20% 50V	C104	1-164-232-11	CERAMIC CHIP	0.01MF 50V
C004	1-130-491-00	MYLAR	0.047MF 5% 50V	C105	1-163-101-00	CERAMIC CHIP	22PF 5% 50V
C005	1-163-121-00	CERAMIC CHIP	150PF 5% 50V	C106	1-124-589-11	ELECT	47MF 20% 16V
C006	1-163-019-00	CERAMIC CHIP	0.0068MF 10% 50V	C107	1-124-589-11	ELECT	47MF 20% 16V
C007	1-124-589-11	ELECT	47MF 20% 16V	C108	1-164-232-11	CERAMIC CHIP	0.01MF 50V
C008	1-164-232-11	CERAMIC CHIP	0.01MF 50V	C109	1-164-232-11	CERAMIC CHIP	0.01MF 50V
C009	1-164-232-11	CERAMIC CHIP	0.01MF 50V	C110	1-124-589-11	ELECT	47MF 20% 16V
C010	1-124-477-11	ELECT	47MF 20% 16V	C111	1-124-589-11	ELECT	47MF 20% 16V
C011	1-164-232-11	CERAMIC CHIP	0.01MF 50V	C112	1-164-232-11	CERAMIC CHIP	0.01MF 50V
C012	1-124-589-11	ELECT	47MF 20% 16V	C113	1-163-141-00	CERAMIC CHIP	0.001MF 5% 50V
C013	1-130-471-00	MYLAR	0.001MF 5% 50V	C114	1-163-137-00	CERAMIC CHIP	680PF 5% 50V
C014	1-163-109-00	CERAMIC CHIP	47PF 5% 50V	C115	1-126-163-11	ELECT	4.7MF 20% 50V
C015	1-163-103-00	CERAMIC CHIP	27PF 5% 50V	C121	1-163-109-00	CERAMIC CHIP	47PF 5% 50V
C016	1-163-105-00	CERAMIC CHIP	33PF 5% 50V	C122	1-163-125-00	CERAMIC CHIP	220PF 5% 50V
C017	1-163-117-00	CERAMIC CHIP	100PF 5% 50V	C123	1-130-485-00	MYLAR	0.015MF 5% 50V
C018	1-163-011-11	CERAMIC CHIP	0.0015MF 10% 50V	C124	1-126-529-11	ELECT	0.47MF 20% 50V
C019	1-163-125-00	CERAMIC CHIP	220PF 5% 50V	C125	1-164-232-11	CERAMIC CHIP	0.01MF 50V
C020	1-163-035-00	CERAMIC CHIP	0.047MF 50V	C126	1-124-589-11	ELECT	47MF 20% 16V
C021	1-163-035-00	CERAMIC CHIP	0.047MF 50V	C127	1-163-137-00	CERAMIC CHIP	680PF 5% 50V
C022	1-163-129-00	CERAMIC CHIP	330PF 5% 50V	C128	1-130-494-11	MYLAR	0.082MF 5% 50V
C023	1-126-157-11	ELECT	10MF 20% 16V	C129	1-124-589-11	ELECT	47MF 20% 16V
C024	1-126-160-11	ELECT	1MF 20% 50V	C130	1-164-232-11	CERAMIC CHIP	0.01MF 50V
C025	1-124-589-11	ELECT	47MF 20% 16V	C131	1-126-103-11	ELECT	470MF 20% 16V
C026	1-124-589-11	ELECT	47MF 20% 16V	C201	1-124-767-00	ELECT	2.2MF 20% 50V
C027	1-164-232-11	CERAMIC CHIP	0.01MF 50V	C202	1-130-471-00	MYLAR	0.001MF 5% 50V
C028	1-164-232-11	CERAMIC CHIP	0.01MF 50V	C204	1-130-476-00	MYLAR	0.0027MF 5% 50V
C029	1-124-589-11	ELECT	47MF 20% 16V	C206	1-130-489-00	MYLAR	0.033MF 5% 50V
C030	1-164-232-11	CERAMIC CHIP	0.01MF 50V	C207	1-130-478-00	MYLAR	0.0039MF 5% 50V
C031	1-163-035-00	CERAMIC CHIP	0.047MF 50V	C220	1-163-093-00	CERAMIC CHIP	10PF 5% 50V
C032	1-163-111-00	CERAMIC CHIP	56PF 5% 50V	C222	1-163-019-00	CERAMIC CHIP	0.0068MF 10% 50V
C033	1-163-117-00	CERAMIC CHIP	100PF 5% 50V	C223	1-163-019-00	CERAMIC CHIP	0.0068MF 10% 50V
C034	1-164-182-11	CERAMIC CHIP	0.0033MF 10% 50V	C224	1-124-446-11	ELECT	47MF 20% 10V
C035	1-163-035-00	CERAMIC CHIP	0.047MF 50V	C227	1-124-589-11	ELECT	47MF 20% 16V
C036	1-124-589-11	ELECT	47MF 20% 16V	C228	1-130-471-00	MYLAR	0.001MF 5% 50V
C037	1-124-477-11	ELECT	47MF 20% 16V	C229	1-130-471-00	MYLAR	0.001MF 5% 50V
C038	1-124-477-11	ELECT	47MF 20% 16V	C230	1-130-471-00	MYLAR	0.001MF 5% 50V
C039	1-163-117-00	CERAMIC CHIP	100PF 5% 50V	C231	1-124-477-11	ELECT	47MF 20% 25V
C040	1-164-232-11	CERAMIC CHIP	0.01MF 50V	C232	1-130-471-00	MYLAR	0.001MF 5% 50V
C041	1-163-103-00	CERAMIC CHIP	27PF 5% 50V	C233	1-126-157-11	ELECT	10MF 20% 16V
C043	1-163-117-00	CERAMIC CHIP	100PF 5% 50V	C234	1-130-495-00	MYLAR	0.1MF 5% 50V
C044	1-126-101-11	ELECT	100MF 20% 16V	C235	1-124-477-11	ELECT	47MF 20% 25V
C045	1-163-035-00	CERAMIC CHIP	0.047MF 50V	C236	1-124-589-11	ELECT	47MF 20% 16V
C046	1-163-105-00	CERAMIC CHIP	33PF 5% 50V	C237	1-130-471-00	MYLAR	0.001MF 5% 50V
C047	1-163-035-00	CERAMIC CHIP	0.047MF 50V	C238	1-163-141-00	CERAMIC CHIP	0.001MF 5% 50V
C048	1-163-035-00	CERAMIC CHIP	0.047MF 50V	C239	1-163-141-00	CERAMIC CHIP	0.001MF 5% 50V
C050	1-126-157-11	ELECT	10MF 20% 16V	C240	1-163-141-00	CERAMIC CHIP	0.001MF 5% 50V
C051	1-126-529-11	ELECT	0.47MF 20% 50V	C241	1-163-141-00	CERAMIC CHIP	0.001MF 5% 50V
C052	1-126-529-11	ELECT	0.47MF 20% 50V	C242	1-163-141-00	CERAMIC CHIP	0.001MF 5% 50V
C053	1-163-093-00	CERAMIC CHIP	10PF 5% 50V	C244	1-163-141-00	CERAMIC CHIP	0.001MF 5% 50V
C054	1-163-093-00	CERAMIC CHIP	10PF 5% 50V	C300	1-163-105-00	CERAMIC CHIP	33PF 5% 50V
C055	1-163-019-00	CERAMIC CHIP	0.0068MF 10% 50V	C301	1-164-232-11	CERAMIC CHIP	0.01MF 50V

When indicating parts by reference number, please include the board name.

Ref.No	Part No.	Description	Remark	Ref.No	Part No.	Description	Remark
C302	1-124-589-11	ELECT	47MF 20% 16V	C399	1-124-589-11	ELECT	47MF 20% 16V
C303	1-163-105-00	CERAMIC CHIP	33PF 5% 50V	C401	1-126-163-11	ELECT	4.7MF 20% 50V
C304	1-164-232-11	CERAMIC CHIP	0.01MF 50V	C402	1-164-182-11	CERAMIC CHIP	0.0033MF 10% 50V
C305	1-124-589-11	ELECT	47MF 20% 16V	C403	1-163-117-00	CERAMIC CHIP	100PF 5% 50V
C308	1-130-476-00	MYLAR	0.0027MF 5% 50V	C404	1-126-163-11	ELECT	4.7MF 20% 50V
C309	1-130-485-00	MYLAR	0.015MF 5% 50V	C405	1-124-584-00	ELECT	100MF 20% 10V
C310	1-130-499-00	MYLAR	0.22MF 5% 50V	C406	1-163-117-00	CERAMIC CHIP	100PF 5% 50V
C311	1-163-115-00	CERAMIC CHIP	82PF 5% 50V	C407	1-124-589-11	ELECT	47MF 20% 16V
C312	1-163-019-00	CERAMIC CHIP	0.0068MF 10% 50V	C410	1-123-382-00	ELECT	3.3MF 20% 25V
C313	1-126-101-11	ELECT	100MF 20% 16V	C411	1-130-495-00	MYLAR	0.1MF 5% 50V
C314	1-124-477-11	ELECT	47MF 20% 16V	C413	1-126-163-11	ELECT	4.7MF 20% 50V
C315	1-123-875-11	ELECT	10MF 20% 50V	C414	1-126-163-11	ELECT	4.7MF 20% 50V
C316	1-124-446-11	ELECT	47MF 20% 10V	C415	1-126-163-11	ELECT	4.7MF 20% 50V
C317	1-164-232-11	CERAMIC CHIP	0.01MF 50V	C416	1-163-141-00	CERAMIC CHIP	0.001MF 5% 50V
C318	1-124-589-11	ELECT	47MF 20% 16V	C417	1-163-141-00	CERAMIC CHIP	0.001MF 5% 50V
C319	1-130-489-00	MYLAR	0.033MF 5% 50V	C418	1-163-141-00	CERAMIC CHIP	0.001MF 5% 50V
C320	1-163-125-00	CERAMIC CHIP	220PF 10% 50V	C419	1-163-141-00	CERAMIC CHIP	0.001MF 5% 50V
C321	1-164-232-11	CERAMIC CHIP	0.01MF 50V	C420	1-163-141-00	CERAMIC CHIP	0.001MF 5% 50V
C322	1-124-589-11	ELECT	47MF 20% 16V	C421	1-163-141-00	CERAMIC CHIP	0.001MF 5% 50V
C323	1-130-495-00	MYLAR	0.1MF 5% 50V	C451	1-130-467-00	MYLAR	470PF 5% 50V
C324	1-130-469-00	MYLAR	680PF 5% 50V	C452	1-130-471-00	MYLAR	0.001MF 5% 50V
C325	1-130-471-00	MYLAR	0.001MF 5% 50V	C453	1-130-477-00	MYLAR	0.0033MF 5% 50V
C326	1-131-344-00	TANTALUM	0.33MF 10% 35V	C454	1-130-479-00	MYLAR	0.0047MF 5% 50V
C327	1-164-232-11	CERAMIC CHIP	0.01MF 50V	C455	1-124-910-11	ELECT	47MF 20% 50V
C328	1-124-477-11	ELECT	47MF 20% 25V	C456	1-163-035-00	CERAMIC CHIP	0.047MF 50V
C329	1-164-232-11	CERAMIC CHIP	0.01MF 50V	C457	1-130-471-00	MYLAR	0.001MF 5% 50V
C330	1-124-477-11	ELECT	47MF 20% 25V	C458	1-124-122-11	ELECT	100MF 20% 50V
C331	1-130-476-00	MYLAR	0.0027MF 5% 50V	C459	1-163-036-00	CERAMIC CHIP	0.068MF 50V
C332	1-130-476-00	MYLAR	0.0027MF 5% 50V	C460	1-163-036-00	CERAMIC CHIP	0.068MF 50V
C333	1-164-232-11	CERAMIC CHIP	0.01MF 50V	C461	1-163-035-00	CERAMIC CHIP	0.047MF 50V
C334	1-124-589-11	ELECT	47MF 20% 16V	C462	1-163-035-00	CERAMIC CHIP	0.047MF 50V
C335	1-164-232-11	CERAMIC CHIP	0.01MF 50V	C463	1-124-479-11	ELECT	330MF 20% 25V
C336	1-124-589-11	ELECT	47MF 20% 16V	C464	1-124-479-11	ELECT	330MF 20% 25V
C337	1-130-486-00	MYLAR	0.018MF 5% 50V	C466	1-126-101-11	ELECT	100MF 20% 16V
C338	1-130-478-00	MYLAR	0.0039MF 5% 50V	C467	1-126-096-11	ELECT	10MF 20% 25V
C340	1-126-320-11	ELECT	10MF 20% 16V	C468	1-124-477-11	ELECT	47MF 20% 25V
C341	1-130-483-00	MYLAR	0.01MF 5% 50V	C469	1-124-477-11	ELECT	47MF 20% 25V
C342	1-130-487-00	MYLAR	0.022MF 5% 50V	C470	1-124-589-11	ELECT	47MF 20% 16V
C347	1-163-105-00	CERAMIC CHIP	33PF 5% 50V	C471	1-163-117-00	CERAMIC CHIP	100PF 5% 50V
C348	1-130-489-00	MYLAR	0.033MF 5% 50V	C701	1-164-161-11	CERAMIC CHIP	0.0022MF 10% 50V
C349	1-130-467-00	MYLAR	470PF 5% 50V	C901	1-123-330-00	ELECT	22MF 20% 16V
C350	1-164-232-11	CERAMIC CHIP	0.01MF 50V	C902	1-163-035-00	CERAMIC CHIP	0.047MF 50V
C351	1-124-477-11	ELECT	47MF 20% 25V	C905	1-163-035-00	CERAMIC CHIP	0.047MF 50V
C352	1-164-232-11	CERAMIC CHIP	0.01MF 50V	C906	1-163-035-00	CERAMIC CHIP	0.047MF 50V
C353	1-124-477-11	ELECT	47MF 20% 25V	C907	1-163-101-00	CERAMIC CHIP	22PF 5% 50V
C354	1-126-529-11	ELECT	0.47MF 20% 50V	C908	1-163-101-00	CERAMIC CHIP	22PF 5% 50V
C356	1-163-115-00	CERAMIC CHIP	82PF 5% 50V	C909	1-163-035-00	CERAMIC CHIP	0.047MF 50V
C357	1-124-268-00	ELECT	0.22MF 20% 50V	C910	1-163-035-00	CERAMIC CHIP	0.047MF 50V
C359	1-130-495-00	MYLAR	0.1MF 5% 50V	C911	1-163-035-00	CERAMIC CHIP	0.047MF 50V
C360	1-130-495-00	MYLAR	0.1MF 5% 50V	C912	1-163-035-00	CERAMIC CHIP	0.047MF 50V
C362	1-164-232-11	CERAMIC CHIP	0.01MF 50V	C913	1-163-035-00	CERAMIC CHIP	0.047MF 50V
C363	1-124-589-11	ELECT	47MF 20% 16V	C914	1-123-330-00	ELECT	22MF 20% 16V
C364	1-164-232-11	CERAMIC CHIP	0.01MF 50V	C915	1-163-035-00	CERAMIC CHIP	0.047MF 50V
C365	1-124-589-11	ELECT	47MF 20% 16V	C916	1-163-035-00	CERAMIC CHIP	0.047MF 50V
C366	1-130-487-00	MYLAR	0.022MF 5% 50V	C920	1-124-446-11	ELECT	47MF 20% 10V
C367	1-130-472-00	MYLAR	0.0012MF 5% 50V	C921	1-124-446-11	ELECT	47MF 20% 10V
C368	1-130-472-00	MYLAR	0.0012MF 5% 50V	C922	1-124-791-11	ELECT	1MF 20% 50V
C369	1-124-282-00	ELECT	22MF 20% 16V	C923	1-163-129-00	CERAMIC CHIP	330PF 5% 50V
C371	1-163-105-00	CERAMIC CHIP	33PF 5% 50V	C924	1-123-382-00	ELECT	3.3MF 20% 50V
C372	1-164-232-11	CERAMIC CHIP	0.01MF 50V	C925	1-164-232-11	CERAMIC CHIP	0.01MF 10% 50V
C373	1-164-232-11	CERAMIC CHIP	0.01MF 50V	C926	1-163-035-00	CERAMIC CHIP	0.047MF 50V
C374	1-163-141-00	CERAMIC CHIP	0.001MF 5% 50V	C927	1-163-035-00	CERAMIC CHIP	0.047MF 50V
C376	1-130-491-00	MYLAR	0.047MF 5% 50V				
C377	1-163-035-00	CERAMIC CHIP	0.047MF 50V				
C381	1-163-117-00	CERAMIC CHIP	100PF 5% 50V				

CONNECTOR

CN001 1-506-467-11 PIN, CONNECTOR 2P

When indicating parts by reference number, please include the board name.

Ref.No	Part No.	Description	Remark	Ref.No	Part No.	Description	Remark
CN002	1-506-483-21	PIN, CONNECTOR 4P		IC003	8-759-202-24	IC TC74HC86P	
CN003	1-506-467-11	PIN, CONNECTOR 2P		IC004	8-759-927-56	IC BA7021	
CN004	1-506-470-11	PIN, CONNECTOR 5P		IC005	8-759-988-96	IC MB89010A-109A	
CN005	*1-560-893-00	PIN, CONNECTOR 5P		IC006	8-759-927-56	IC BA7021	
CN006	1-506-467-11	PIN, CONNECTOR 2P		IC101	8-759-207-28	IC TC9015P	
CN009	*1-564-028-00	PIN, CONNECTOR 3P		IC102	8-759-208-10	IC TC4053BPHB	
CN010	*1-560-900-00	PIN, CONNECTOR 12P		IC103	8-759-202-24	IC SN74LS221N	
CN020	1-506-467-11	PIN, CONNECTOR 2P		IC104	8-759-916-12	IC TC74HC00N	
CN022	1-506-469-11	PIN, CONNECTOR 4P		IC105	8-759-916-12	IC TC74HC00N	
CN024	1-506-468-11	PIN, CONNECTOR 3P		IC106	8-759-938-56	IC MB88201H-523M	
CN025	1-506-470-11	PIN, CONNECTOR 5P		IC107	8-759-245-55	IC TC4555BP	
CN026	1-506-467-11	PIN, CONNECTOR 2P		IC121	8-759-912-64	IC PA0009	
CN027	1-506-467-11	PIN, CONNECTOR 2P		IC201	8-759-208-10	IC TC4053BPHB	
CN028	1-506-470-11	PIN, CONNECTOR 5P		IC202	8-752-322-98	IC CXD1091S	
CN029	1-506-469-11	PIN, CONNECTOR 4P		IC203	8-759-240-11	IC TC4011BP	
CN115	*1-564-037-11	PIN, CONNECTOR 12P		IC205	8-759-345-38	IC HD14538BP	
CN201	*1-566-705-11	CONNECTOR, BOARD TO BOARD 7P		IC206	8-759-345-38	IC HD14538BP	
CN202	1-565-778-11	CONNECTOR, BOARD TO BOARD 8P		IC207	8-759-345-38	IC HD14538BP	
CN401	*1-560-899-00	PIN, CONNECTOR 11P		IC208	8-759-240-24	IC TC4024BP	
CN901	1-506-467-11	PIN, CONNECTOR 2P		IC209	8-759-345-38	IC HD14538BP	
CN902	1-506-471-11	PIN, CONNECTOR 6P		IC301	8-759-981-95	IC RC4558S	
<u>CONNECTOR</u>				IC302	8-759-981-95	IC RC4558S	
CNJ101	1-562-635-11	RECEPTACLE, BNC (VIDEO OUT)		IC303	8-759-981-92	IC RC4558M	
CNJ201	*1-562-999-21	JACK, PIN 2P (2/R, 1/L LINE OUT)		IC304	8-759-981-65	IC LM2903M	
CNJ901	1-563-161-11	CONNECTOR, D-SUB 25P (RS-232C)		IC305	8-749-920-75	IC STA-451C	
<u>VARIABLE CAPACITOR</u>				IC306	8-759-981-95	IC RC4558S	
CV101	1-141-304-21	TRIMMER, CERAMIC (10P)		IC307	8-759-981-92	IC RC4558M	
<u>DIODE</u>				IC308	8-749-920-75	IC STA-451C	
D001	8-719-400-18	DIODE MA152WK		IC309	8-759-981-95	IC RC4558S	
D002	8-719-907-19	DIODE FC52M-5		IC310	8-759-981-95	IC RC4558S	
D005	8-719-800-76	DIODE 1SS226		IC312	8-759-982-52	IC RC79M05FA	
D101	8-719-400-18	DIODE MA152WK		IC313	8-759-321-40	IC HA11529	
D102	8-719-400-18	DIODE MA152WK		IC401	8-759-981-95	IC RC4558S	
D103	8-719-400-18	DIODE MA152WK		IC402	8-759-208-10	IC TC4053BPHB	
D121	8-719-400-18	DIODE MA152WK		IC403	8-759-305-31	IC STA302A	
D201	8-719-914-44	DIODE DAP202K		IC404	8-759-305-32	IC STA303A	
D202	8-719-914-44	DIODE DAP202K		IC405	8-759-981-95	IC RC4558S	
D204	8-719-914-44	DIODE DAP202K		IC451	8-759-981-95	IC RC4558S	
D206	8-719-400-18	DIODE MA152WK		IC452	8-759-981-68	IC LM2903S	
D300	8-719-911-19	DIODE 1SS119		IC453	8-759-205-83	IC TA7713P	
D301	8-719-109-96	DIODE RD6.8ESB1		IC901	8-759-305-17	IC HD637A01Y0P	
D302	8-719-911-19	DIODE 1SS119		IC902	8-759-631-98	IC M60014-0120FP	
D307	8-719-109-59	DIODE RD2.7ESB1		IC903	8-759-103-27	IC UPD8251AFC	
D310	8-719-911-19	DIODE 1SS119		IC904	8-759-913-99	IC MB88201-173N	
D403	8-719-800-76	DIODE 1SS226		IC905	8-759-008-98	IC MC14040BF	
D431	8-719-800-76	DIODE 1SS226		IC906	8-759-011-83	IC MC145406P	
D432	8-719-800-76	DIODE 1SS226		IC907	8-759-927-46	IC SN74HC00NS	
D451	8-719-800-76	DIODE 1SS226		IC908	8-759-008-79	IC MC14011BF	
D452	8-719-200-02	DIODE 10E-2		IC909	8-759-000-99	IC MC74HC74N	
D453	8-719-200-02	DIODE 10E-2		IC910	8-759-602-54	IC CX20106A	
D454	8-719-800-76	DIODE 1SS226		<u>JUMPER RESISTOR</u>			
<u>FILTER</u>				JR001	1-216-295-00	METAL GLAZE	0 5% 1/10W
FL001	1-409-431-11	COIL, TRAP (3.58M)		JR002	1-216-295-00	METAL GLAZE	0 5% 1/10W
<u>CONNECTOR</u>				JR003	1-216-295-00	METAL GLAZE	0 5% 1/10W
FN001	1-563-510-11	CONNECTOR, FPC.FFC 24P		JR004	1-216-295-00	METAL GLAZE	0 5% 1/10W
<u>IC</u>				JR005	1-216-295-00	METAL GLAZE	0 5% 1/10W
IC001	8-759-902-21	IC SN74LS221N		JR006	1-216-295-00	METAL GLAZE	0 5% 1/10W
IC002	8-759-945-58	IC RC4558P		JR007	1-216-295-00	METAL GLAZE	0 5% 1/10W
				JR008	1-216-295-00	METAL GLAZE	0 5% 1/10W
				JR009	1-216-295-00	METAL GLAZE	0 5% 1/10W
				JR010	1-216-295-00	METAL GLAZE	0 5% 1/10W
				JR011	1-216-295-00	METAL GLAZE	0 5% 1/10W
				JR012	1-216-295-00	METAL GLAZE	0 5% 1/10W
				JR013	1-216-296-00	METAL GLAZE	0 5% 1/8W
				JR014	1-216-296-00	METAL GLAZE	0 5% 1/8W

When indicating parts by reference number, please include the board name.

MB-40

Note:
The components identified by mark Δ or dotted line with mark Δ are critical for safety. Replace only with part number specified.

Note:
Les composants identifiés par une marque Δ sont critiques pour la sécurité. Ne les remplacer que par une pièce portant le numéro spécifié.

Ref.No	Part No.	Description	Remark
JR016	1-216-296-00	METAL GLAZE 0	5% 1/8W
JR017	1-216-296-00	METAL GLAZE 0	5% 1/8W
JR018	1-216-296-00	METAL GLAZE 0	5% 1/8W
JR019	1-216-296-00	METAL GLAZE 0	5% 1/8W
JR026	1-216-296-00	METAL GLAZE 0	5% 1/8W
JR027	1-216-296-00	METAL GLAZE 0	5% 1/8W
JR029	1-216-296-00	METAL GLAZE 0	5% 1/8W
JR030	1-216-296-00	METAL GLAZE 0	5% 1/8W
JR034	1-216-296-00	METAL GLAZE 0	5% 1/8W
JR035	1-216-296-00	METAL GLAZE 0	5% 1/8W
JR036	1-216-296-00	METAL GLAZE 0	5% 1/8W
JR037	1-216-296-00	METAL GLAZE 0	5% 1/8W
JR038	1-216-296-00	METAL GLAZE 0	5% 1/8W
JR039	1-216-296-00	METAL GLAZE 0	5% 1/8W
JR040	1-216-296-00	METAL GLAZE 0	5% 1/8W
JR041	1-216-296-00	METAL GLAZE 0	5% 1/8W
JR042	1-216-296-00	METAL GLAZE 0	5% 1/8W
JR043	1-216-296-00	METAL GLAZE 0	5% 1/8W

COIL

L001	1-410-521-11	INDUCTOR 100UH	
L002	1-410-521-11	INDUCTOR 100UH	
L003	1-410-521-11	INDUCTOR 100UH	
L004	1-408-419-00	INDUCTOR 68UH	
L005	1-410-521-11	INDUCTOR 100UH	
L006	1-410-521-11	INDUCTOR 100UH	
L007	1-410-515-11	INDUCTOR 33UH	
L008	1-410-521-11	INDUCTOR 100UH	
L009	1-410-513-11	INDUCTOR 22UH	
L010	1-408-414-00	INDUCTOR 27UH	
L011	1-410-521-11	INDUCTOR 100UH	
L012	1-410-512-11	INDUCTOR 18UH	
L101	1-410-521-11	INDUCTOR 100UH	
L102	1-410-521-11	INDUCTOR 100UH	
L103	1-410-520-11	INDUCTOR 82UH	
L104	1-410-521-11	INDUCTOR 100UH	
L105	1-410-521-11	INDUCTOR 100UH	
L121	1-410-522-11	INDUCTOR 120UH	
L122	1-410-521-11	INDUCTOR 100UH	
L123	1-410-521-11	INDUCTOR 100UH	
L201	1-410-521-11	INDUCTOR 100UH	
L300	1-410-521-11	INDUCTOR 100UH	
L301	1-410-521-11	INDUCTOR 100UH	
L302	1-410-521-11	INDUCTOR 100UH	
L303	1-410-521-11	INDUCTOR 100UH	
L304	1-410-521-11	INDUCTOR 100UH	
L305	1-410-521-11	INDUCTOR 100UH	
L306	1-410-521-11	INDUCTOR 100UH	
L307	1-410-521-11	INDUCTOR 100UH	
L308	1-410-521-11	INDUCTOR 100UH	
L309	1-410-521-11	INDUCTOR 100UH	
L310	1-410-521-11	INDUCTOR 100UH	
L313	1-410-521-11	INDUCTOR 100UH	
L314	1-410-521-11	INDUCTOR 100UH	
L451	1-410-305-12	COIL, CHOKE 400UH	

IC LINK

PS301	Δ 1-532-675-00	LINK, IC 1.5A ICP-F38	
PS302	Δ 1-532-675-00	LINK, IC 1.5A ICP-F38	
PS303	Δ 1-532-675-00	LINK, IC 1.5A ICP-F38	
PS304	Δ 1-532-675-00	LINK, IC 1.5A ICP-F38	
PS401	Δ 1-532-686-00	LINK, IC 2.7A ICP-F75	
PS402	Δ 1-532-686-00	LINK, IC 2.7A ICP-F75	

Ref.No	Part No.	Description	Remark
TRANSISTOR			
Q001	8-729-100-66	TRANSISTOR 2SC1623	
Q002	8-729-100-66	TRANSISTOR 2SC1623	
Q003	8-729-100-66	TRANSISTOR 2SC1623	
Q004	8-729-100-66	TRANSISTOR 2SC1623	
Q005	8-729-216-22	TRANSISTOR 2SA1162	
Q006	8-729-218-43	TRANSISTOR 2SK184-GR	
Q007	8-729-100-66	TRANSISTOR 2SC1623	
Q008	8-729-216-22	TRANSISTOR 2SA1162	
Q009	8-729-100-66	TRANSISTOR 2SC1623	
Q010	8-729-100-66	TRANSISTOR 2SC1623	
Q011	8-729-216-22	TRANSISTOR 2SA1162	
Q012	8-729-100-66	TRANSISTOR 2SC1623	
Q013	8-729-216-22	TRANSISTOR 2SA1162	
Q014	8-729-100-66	TRANSISTOR 2SC1623	
Q015	8-729-100-66	TRANSISTOR 2SC1623	
Q016	8-729-100-66	TRANSISTOR 2SC1623	
Q017	8-729-658-32	TRANSISTOR 2SC1583-G	
Q018	8-729-658-32	TRANSISTOR 2SC1583-G	
Q019	8-729-100-66	TRANSISTOR 2SC1623	
Q020	8-729-100-66	TRANSISTOR 2SC1623	
Q021	8-729-100-66	TRANSISTOR 2SC1623	
Q022	8-729-100-66	TRANSISTOR 2SC1623	
Q023	8-729-119-78	TRANSISTOR 2SC2785-HFE	
Q024	8-729-216-22	TRANSISTOR 2SA1162	
Q025	8-729-100-66	TRANSISTOR 2SC1623	
Q101	8-729-100-66	TRANSISTOR 2SC1623	
Q102	8-729-100-66	TRANSISTOR 2SC1623	
Q103	8-729-100-66	TRANSISTOR 2SC1623	
Q104	8-729-216-22	TRANSISTOR 2SA1162	
Q105	8-729-901-00	TRANSISTOR DTC124EK	
Q121	8-729-100-66	TRANSISTOR 2SC1623	
Q122	8-729-100-66	TRANSISTOR 2SC1623	
Q201	8-729-900-53	TRANSISTOR DTC114EK	
Q202	8-729-901-01	TRANSISTOR DTC144EK	
Q203	8-729-900-53	TRANSISTOR DTC114EK	
Q204	8-729-901-05	TRANSISTOR DTA124EK	
Q205	8-729-901-00	TRANSISTOR DTC124EK	
Q206	8-729-901-01	TRANSISTOR DTC144EK	
Q303	8-729-901-04	TRANSISTOR DTA114EK	
Q304	8-729-218-43	TRANSISTOR 2SK184-GR	
Q305	8-729-901-04	TRANSISTOR DTA114EK	
Q306	8-729-900-53	TRANSISTOR DTC114EK	
Q307	8-729-218-43	TRANSISTOR 2SK184-GR	
Q308	8-729-218-43	TRANSISTOR 2SK184-GR	
Q310	8-729-100-66	TRANSISTOR 2SC1623	
Q311	8-729-100-66	TRANSISTOR 2SC1623	
Q312	8-729-320-62	TRANSISTOR 2SD789-34	
Q313	8-729-320-62	TRANSISTOR 2SD789-34	
Q314	8-729-901-05	TRANSISTOR DTA124EK	
Q401	8-729-901-00	TRANSISTOR DTC124EK	
Q402	8-729-901-00	TRANSISTOR DTC124EK	
Q403	8-729-901-05	TRANSISTOR DTA124EK	
Q404	8-729-901-00	TRANSISTOR DTC124EK	
Q405	8-729-901-05	TRANSISTOR DTA124EK	
Q410	8-729-281-53	TRANSISTOR 2SC1815-GR	
Q411	8-729-201-53	TRANSISTOR 2SA1015-GR	
Q412	8-729-281-53	TRANSISTOR 2SC1815-GR	
Q413	8-729-281-53	TRANSISTOR 2SC1815-GR	
Q414	8-729-201-53	TRANSISTOR 2SA1015-GR	
Q415	8-729-281-53	TRANSISTOR 2SC1815-GR	
Q416	8-729-281-53	TRANSISTOR 2SC1815-GR	
Q417	8-729-201-53	TRANSISTOR 2SA1015-GR	
Q418	8-729-281-53	TRANSISTOR 2SC1815-GR	
Q420	8-729-901-05	TRANSISTOR DTA124EK	

When indicating parts by reference number, please include the board name.

Ref.No	Part No.	Description	Remark	Ref.No	Part No.	Description	Remark
Q421	8-729-901-05	TRANSISTOR DTA124EK		R055	1-216-035-00	METAL GLAZE 270	5% 1/10W
Q422	8-729-901-00	TRANSISTOR DTC124EK		R056	1-216-063-00	METAL GLAZE 3.9K	5% 1/10W
Q423	8-729-901-05	TRANSISTOR DTA124EK		R057	1-216-049-00	METAL GLAZE 1K	5% 1/10W
Q424	8-729-100-66	TRANSISTOR 2SC1623		R058	1-216-043-00	METAL GLAZE 560	5% 1/10W
Q432	8-729-119-78	TRANSISTOR 2SC2785-HFE		R059	1-216-031-00	METAL GLAZE 180	5% 1/10W
Q451	8-729-119-76	TRANSISTOR 2SA1175-HFE		R060	1-216-065-00	METAL GLAZE 4.7K	5% 1/10W
Q452	8-729-119-76	TRANSISTOR 2SA1175-HFE		R061	1-216-033-00	METAL GLAZE 220	5% 1/10W
Q453	8-729-119-78	TRANSISTOR 2SC2785-HFE		R062	1-216-033-00	METAL GLAZE 220	5% 1/10W
Q458	8-729-804-68	TRANSISTOR 2SB1133-S		R063	1-216-033-00	METAL GLAZE 220	5% 1/10W
Q459	8-729-804-17	TRANSISTOR 2SD1666-R		R064	1-216-047-00	METAL GLAZE 820	5% 1/10W
RESISTOR				R065	1-216-081-00	METAL GLAZE 22K	5% 1/10W
R001	1-216-041-00	METAL GLAZE 470	5% 1/10W	R066	1-216-033-00	METAL GLAZE 220	5% 1/10W
R002	1-216-057-00	METAL GLAZE 2.2K	5% 1/10W	R067	1-216-059-00	METAL GLAZE 2.7K	5% 1/10W
R003	1-216-067-00	METAL GLAZE 5.6K	5% 1/10W	R068	1-216-085-00	METAL GLAZE 33K	5% 1/10W
R004	1-216-053-00	METAL GLAZE 1.5K	5% 1/10W	R069	1-216-063-00	METAL GLAZE 3.9K	5% 1/10W
R005	1-216-047-00	METAL GLAZE 820	5% 1/10W	R070	1-216-049-00	METAL GLAZE 1K	5% 1/10W
R006	1-216-033-00	METAL GLAZE 220	5% 1/10W	R071	1-216-041-00	METAL GLAZE 470	5% 1/10W
R007	1-216-065-00	METAL GLAZE 4.7K	5% 1/10W	R072	1-216-057-00	METAL GLAZE 2.2K	5% 1/10W
R008	1-216-049-00	METAL GLAZE 1K	5% 1/10W	R073	1-216-073-00	METAL GLAZE 10K	5% 1/10W
R009	1-216-027-00	METAL GLAZE 120	5% 1/10W	R074	1-216-049-00	METAL GLAZE 1K	5% 1/10W
R010	1-216-025-00	METAL GLAZE 100	5% 1/10W	R075	1-216-039-00	METAL GLAZE 390	5% 1/10W
R011	1-216-025-00	METAL GLAZE 100	5% 1/10W	R076	1-216-073-00	METAL GLAZE 10K	5% 1/10W
R012	1-216-073-00	METAL GLAZE 10K	5% 1/10W	R077	1-216-073-00	METAL GLAZE 10K	5% 1/10W
R013	1-216-073-00	METAL GLAZE 10K	5% 1/10W	R078	1-216-061-00	METAL GLAZE 3.3K	5% 1/10W
R014	1-216-065-00	METAL GLAZE 4.7K	5% 1/10W	R079	1-216-049-00	METAL GLAZE 1K	5% 1/10W
R015	1-216-121-00	METAL GLAZE 1M	5% 1/10W	R080	1-216-067-00	METAL GLAZE 5.6K	5% 1/10W
R016	1-216-037-00	METAL GLAZE 330	5% 1/10W	R081	1-216-115-00	METAL GLAZE 560K	5% 1/10W
R017	1-216-113-00	METAL GLAZE 470K	5% 1/10W	R082	1-216-115-00	METAL GLAZE 560K	5% 1/10W
R018	1-216-085-00	METAL GLAZE 33K	5% 1/10W	R083	1-216-065-00	METAL GLAZE 4.7K	5% 1/10W
R019	1-216-085-00	METAL GLAZE 33K	5% 1/10W	R084	1-216-057-00	METAL GLAZE 2.2K	5% 1/10W
R020	1-216-081-00	METAL GLAZE 22K	5% 1/10W	R085	1-216-057-00	METAL GLAZE 2.2K	5% 1/10W
R021	1-216-081-00	METAL GLAZE 22K	5% 1/10W	R086	1-216-656-11	METAL CHIP 1.6K	0.50% 1/10W
R022	1-216-073-00	METAL GLAZE 10K	5% 1/10W	R087	1-216-661-11	METAL CHIP 2.7K	0.50% 1/10W
R023	1-216-081-00	METAL GLAZE 22K	5% 1/10W	R088	1-216-115-00	METAL GLAZE 560K	5% 1/10W
R024	1-216-109-00	METAL GLAZE 330K	5% 1/10W	R089	1-216-115-00	METAL GLAZE 560K	5% 1/10W
R025	1-216-051-00	METAL GLAZE 1.2K	5% 1/10W	R090	1-216-071-00	METAL GLAZE 8.2K	5% 1/10W
R026	1-216-057-00	METAL GLAZE 2.2K	5% 1/10W	R091	1-216-073-00	METAL GLAZE 10K	5% 1/10W
R027	1-216-049-00	METAL GLAZE 1K	5% 1/10W	R092	1-216-041-00	METAL GLAZE 470	5% 1/10W
R028	1-216-035-00	METAL GLAZE 270	5% 1/10W	R093	1-216-089-00	METAL GLAZE 47K	5% 1/10W
R029	1-216-049-00	METAL GLAZE 1K	5% 1/10W	R094	1-216-037-00	METAL GLAZE 330	5% 1/10W
R030	1-216-095-00	METAL GLAZE 82K	5% 1/10W	R095	1-216-624-11	METAL CHIP 75	0.50% 1/10W
R031	1-216-081-00	METAL GLAZE 22K	5% 1/10W	R096	1-216-033-00	METAL GLAZE 220	5% 1/10W
R032	1-216-045-00	METAL GLAZE 680	5% 1/10W	R097	1-216-041-00	METAL GLAZE 470	5% 1/10W
R033	1-216-057-00	METAL GLAZE 2.2K	5% 1/10W	R101	1-216-121-00	METAL GLAZE 1M	5% 1/10W
R034	1-216-045-00	METAL GLAZE 680	5% 1/10W	R102	1-216-053-00	METAL GLAZE 1.5K	5% 1/10W
R035	1-216-029-00	METAL GLAZE 150	5% 1/10W	R103	1-216-053-00	METAL GLAZE 1.5K	5% 1/10W
R036	1-216-073-00	METAL GLAZE 10K	5% 1/10W	R104	1-216-053-00	METAL GLAZE 1.5K	5% 1/10W
R037	1-216-073-00	METAL GLAZE 10K	5% 1/10W	R105	1-216-091-00	METAL GLAZE 56K	5% 1/10W
R038	1-216-073-00	METAL GLAZE 10K	5% 1/10W	R106	1-216-105-00	METAL GLAZE 220K	5% 1/10W
R039	1-216-085-00	METAL GLAZE 33K	5% 1/10W	R107	1-216-041-00	METAL GLAZE 470	5% 1/10W
R040	1-216-073-00	METAL GLAZE 10K	5% 1/10W	R108	1-216-031-00	METAL GLAZE 180	5% 1/10W
R041	1-216-041-00	METAL GLAZE 470	5% 1/10W	R109	1-216-041-00	METAL GLAZE 470	5% 1/10W
R042	1-216-041-00	METAL GLAZE 470	5% 1/10W	R110	1-216-033-00	METAL GLAZE 220	5% 1/10W
R043	1-216-085-00	METAL GLAZE 33K	5% 1/10W	R111	1-216-051-00	METAL GLAZE 1.2K	5% 1/10W
R044	1-216-049-00	METAL GLAZE 1K	5% 1/10W	R112	1-216-031-00	METAL GLAZE 180	5% 1/10W
R045	1-216-035-00	METAL GLAZE 270	5% 1/10W	R113	1-216-037-00	METAL GLAZE 330	5% 1/10W
R046	1-216-039-00	METAL GLAZE 390	5% 1/10W	R114	1-216-073-00	METAL GLAZE 10K	5% 1/10W
R047	1-216-099-00	METAL GLAZE 120K	5% 1/10W	R115	1-216-075-00	METAL GLAZE 12K	5% 1/10W
R048	1-216-089-00	METAL GLAZE 47K	5% 1/10W	R116	1-216-073-00	METAL GLAZE 10K	5% 1/10W
R049	1-216-077-00	METAL GLAZE 15K	5% 1/10W	R117	1-216-073-00	METAL GLAZE 10K	5% 1/10W
R050	1-216-045-00	METAL GLAZE 680	5% 1/10W	R118	1-216-075-00	METAL GLAZE 12K	5% 1/10W
R051	1-216-057-00	METAL GLAZE 2.2K	5% 1/10W	R119	1-216-049-00	METAL GLAZE 1K	5% 1/10W
R052	1-216-041-00	METAL GLAZE 470	5% 1/10W	R121	1-216-049-00	METAL GLAZE 1K	5% 1/10W
R053	1-216-091-00	METAL GLAZE 56K	5% 1/10W	R122	1-216-025-00	METAL GLAZE 100	5% 1/10W
R054	1-216-049-00	METAL GLAZE 1K	5% 1/10W	R123	1-216-061-00	METAL GLAZE 3.3K	5% 1/10W

When indicating parts by reference number, please include the board name.

Ref.No	Part No.	Description	Remark
R124	1-216-097-00	METAL GLAZE 100K	5% 1/10W
R125	1-216-067-00	METAL GLAZE 5.6K	5% 1/10W
R126	1-216-075-00	METAL GLAZE 12K	5% 1/10W
R127	1-216-057-00	METAL GLAZE 2.2K	5% 1/10W
R128	1-216-067-00	METAL GLAZE 5.6K	5% 1/10W
R129	1-216-073-00	METAL GLAZE 10K	5% 1/10W
R201	1-216-057-00	METAL GLAZE 2.2K	5% 1/10W
R202	1-216-057-00	METAL GLAZE 2.2K	5% 1/10W
R203	1-216-113-00	METAL GLAZE 470K	5% 1/10W
R205	1-216-093-00	METAL GLAZE 68K	5% 1/10W
R206	1-216-111-00	METAL GLAZE 390K	5% 1/10W
R207	1-216-049-00	METAL GLAZE 1K	5% 1/10W
R208	1-216-049-00	METAL GLAZE 1K	5% 1/10W
R210	1-216-025-00	METAL GLAZE 100	5% 1/10W
R211	1-216-081-00	METAL GLAZE 22K	5% 1/10W
R220	1-216-085-00	METAL GLAZE 33K	5% 1/10W
R221	1-216-073-00	METAL GLAZE 10K	5% 1/10W
R222	1-216-073-00	METAL GLAZE 10K	5% 1/10W
R223	1-216-085-00	METAL GLAZE 33K	5% 1/10W
R224	1-216-049-00	METAL GLAZE 1K	5% 1/10W
R226	1-216-692-11	METAL CHIP 51K	0.50% 1/10W
R227	1-216-077-00	METAL GLAZE 15K	5% 1/10W
R228	1-216-065-00	METAL GLAZE 4.7K	5% 1/10W
R229	1-216-065-00	METAL GLAZE 4.7K	5% 1/10W
R230	1-216-065-00	METAL GLAZE 4.7K	5% 1/10W
R231	1-216-109-00	METAL GLAZE 330K	5% 1/10W
R232	1-216-071-00	METAL GLAZE 8.2K	5% 1/10W
R233	1-216-089-00	METAL GLAZE 47K	5% 1/10W
R234	1-216-073-00	METAL GLAZE 10K	5% 1/10W
R235	1-216-065-00	METAL GLAZE 4.7K	5% 1/10W
R236	1-216-073-00	METAL GLAZE 10K	5% 1/10W
R237	1-216-049-00	METAL GLAZE 1K	5% 1/10W
R238	1-216-081-00	METAL GLAZE 22K	5% 1/10W
R239	1-216-081-00	METAL GLAZE 22K	5% 1/10W
R240	1-216-029-00	METAL GLAZE 150	5% 1/10W
R241	1-216-029-00	METAL GLAZE 150	5% 1/10W
R243	1-216-073-00	METAL GLAZE 10K	5% 1/10W
R245	1-216-073-00	METAL GLAZE 10K	5% 1/10W
R246	1-216-065-00	METAL GLAZE 4.7K	5% 1/10W
R247	1-216-065-00	METAL GLAZE 4.7K	5% 1/10W
R250	1-216-049-00	METAL GLAZE 1K	5% 1/10W
R251	1-216-049-00	METAL GLAZE 1K	5% 1/10W
R252	1-216-081-00	METAL GLAZE 22K	5% 1/10W
R300	1-216-065-00	METAL GLAZE 4.7K	5% 1/10W
R301	1-216-089-00	METAL GLAZE 47K	5% 1/10W
R302	1-216-065-00	METAL GLAZE 4.7K	5% 1/10W
R303	1-216-748-11	METAL GLAZE 39K	5% 1/10W
R304	1-216-077-00	METAL GLAZE 15K	5% 1/10W
R305	1-216-077-00	METAL GLAZE 15K	5% 1/10W
R306	1-216-077-00	METAL GLAZE 15K	5% 1/10W
R307	1-216-083-00	METAL GLAZE 27K	5% 1/10W
R308	1-216-053-00	METAL GLAZE 1.5K	5% 1/10W
R309	1-216-083-00	METAL GLAZE 27K	5% 1/10W
R310	1-216-025-00	METAL GLAZE 100	5% 1/10W
R311	1-216-308-00	METAL GLAZE 4.7	5% 1/10W
R312	1-216-748-11	METAL GLAZE 39K	5% 1/10W
R313	1-216-063-00	METAL GLAZE 3.9K	5% 1/10W
R314	1-216-748-11	METAL GLAZE 39K	5% 1/10W
R315	1-216-097-00	METAL GLAZE 100K	5% 1/10W
R316	1-216-097-00	METAL GLAZE 100K	5% 1/10W
R317	1-216-083-00	METAL GLAZE 27K	5% 1/10W
R318	1-216-069-00	METAL GLAZE 6.8K	5% 1/10W
R319	1-216-097-00	METAL GLAZE 100K	5% 1/10W
R320	1-216-069-00	METAL GLAZE 6.8K	5% 1/10W
R321	1-216-085-00	METAL GLAZE 33K	5% 1/10W

Ref.No	Part No.	Description	Remark
R322	1-216-017-00	METAL GLAZE 47	5% 1/10W
R323	1-216-065-00	METAL GLAZE 4.7K	5% 1/10W
R324	1-216-051-00	METAL GLAZE 1.2K	5% 1/10W
R325	1-216-055-00	METAL GLAZE 1.8K	5% 1/10W
R326	1-216-069-00	METAL GLAZE 6.8K	5% 1/10W
R327	1-216-055-00	METAL GLAZE 1.8K	5% 1/10W
R328	1-216-055-00	METAL GLAZE 1.8K	5% 1/10W
R329	1-216-065-00	METAL GLAZE 4.7K	5% 1/10W
R330	1-216-045-00	METAL GLAZE 680	5% 1/10W
R331	1-216-308-00	METAL GLAZE 4.7	5% 1/10W
R332	1-244-832-11	CARBON 20	5% 1/2W
R333	1-216-073-00	METAL GLAZE 10K	5% 1/10W
R334	1-216-073-00	METAL GLAZE 10K	5% 1/10W
R335	1-216-029-00	METAL GLAZE 150	5% 1/10W
R336	1-216-374-00	METAL OXIDE 2.7	5% 2W F
R337	1-216-121-00	METAL GLAZE 1M	5% 1/10W
R338	1-216-071-00	METAL GLAZE 8.2K	5% 1/10W
R339	1-216-079-00	METAL GLAZE 18K	5% 1/10W
R340	1-216-063-00	METAL GLAZE 3.9K	5% 1/10W
R341	1-216-065-00	METAL GLAZE 4.7K	5% 1/10W
R342	1-216-073-00	METAL GLAZE 10K	5% 1/10W
R343	1-216-073-00	METAL GLAZE 10K	5% 1/10W
R344	1-216-687-11	METAL CHIP 33K	0.50% 1/10W
R345	1-216-681-11	METAL CHIP 18K	0.50% 1/10W
R346	1-216-073-00	METAL GLAZE 10K	5% 1/10W
R347	1-216-119-00	METAL GLAZE 820K	5% 1/10W
R348	1-216-687-11	METAL CHIP 33K	0.50% 1/10W
R349	1-216-682-11	METAL CHIP 20K	0.50% 1/10W
R350	1-216-119-00	METAL GLAZE 820K	5% 1/10W
R351	1-216-089-00	METAL GLAZE 47K	5% 1/10W
R352	1-216-105-00	METAL GLAZE 220K	5% 1/10W
R353	1-216-065-00	METAL GLAZE 4.7K	5% 1/10W
R355	1-216-049-00	METAL GLAZE 1K	5% 1/10W
R357	1-216-073-00	METAL GLAZE 10K	5% 1/10W
R358	1-216-065-00	METAL GLAZE 4.7K	5% 1/10W
R359	1-216-065-00	METAL GLAZE 4.7K	5% 1/10W
R360	1-216-071-00	METAL GLAZE 8.2K	5% 1/10W
R361	1-216-057-00	METAL GLAZE 2.2K	5% 1/10W
R362	1-216-065-00	METAL GLAZE 4.7K	5% 1/10W
R363	1-216-065-00	METAL GLAZE 4.7K	5% 1/10W
R364	1-216-073-00	METAL GLAZE 10K	5% 1/10W
R365	1-216-071-00	METAL GLAZE 8.2K	5% 1/10W
R366	1-216-057-00	METAL GLAZE 2.2K	5% 1/10W
R367	1-216-077-00	METAL GLAZE 15K	5% 1/10W
R368	1-216-077-00	METAL GLAZE 15K	5% 1/10W
R369	1-216-077-00	METAL GLAZE 15K	5% 1/10W
R370	1-216-077-00	METAL GLAZE 15K	5% 1/10W
R371	1-216-097-00	METAL GLAZE 100K	5% 1/10W
R372	1-216-097-00	METAL GLAZE 100K	5% 1/10W
R373	1-216-107-00	METAL GLAZE 270K	5% 1/10W
R374	1-216-115-00	METAL GLAZE 560K	5% 1/10W
R375	1-216-083-00	METAL GLAZE 27K	5% 1/10W
R376	1-216-083-00	METAL GLAZE 27K	5% 1/10W
R377	1-216-093-00	METAL GLAZE 68K	5% 1/10W
R378	1-216-073-00	METAL GLAZE 10K	5% 1/10W
R379	1-216-025-00	METAL GLAZE 100	5% 1/10W
R380	1-216-748-11	METAL GLAZE 39K	5% 1/10W
R381	1-216-095-00	METAL GLAZE 82K	5% 1/10W
R382	1-216-093-00	METAL GLAZE 68K	5% 1/10W
R383	1-216-049-00	METAL GLAZE 1K	5% 1/10W
R384	1-216-073-00	METAL GLAZE 10K	5% 1/10W
R386	1-216-049-00	METAL GLAZE 1K	5% 1/10W
R387	1-216-079-00	METAL GLAZE 18K	5% 1/10W
R388	1-216-049-00	METAL GLAZE 1K	5% 1/10W
R389	1-216-057-00	METAL GLAZE 2.2K	5% 1/10W

When indicating parts by reference number, please include the board name.

Ref.No	Part No.	Description	Remark
R390	1-216-089-00	METAL GLAZE 47K	5% 1/10W
R392	1-216-037-00	METAL GLAZE 330	5% 1/10W
R393	1-216-091-00	METAL GLAZE 56K	5% 1/10W
R394	1-216-017-00	METAL GLAZE 47	5% 1/10W
R395	1-216-073-00	METAL GLAZE 10K	5% 1/10W
R396	1-216-073-00	METAL GLAZE 10K	5% 1/10W
R397	1-216-374-00	METAL OXIDE 2.7	5% 2W F
R398	1-216-081-00	METAL GLAZE 22K	5% 1/10W
R399	1-216-025-00	METAL GLAZE 100	5% 1/10W
R400	1-249-410-11	CARBON 270	5% 1/4W
R401	1-216-085-00	METAL GLAZE 33K	5% 1/10W
R402	1-216-085-00	METAL GLAZE 33K	5% 1/10W
R403	1-216-097-00	METAL GLAZE 100K	5% 1/10W
R404	1-216-077-00	METAL GLAZE 15K	5% 1/10W
R405	1-216-105-00	METAL GLAZE 220K	5% 1/10W
R406	1-216-091-00	METAL GLAZE 56K	5% 1/10W
R407	1-216-081-00	METAL GLAZE 22K	5% 1/10W
R408	1-216-111-00	METAL GLAZE 390K	5% 1/10W
R409	1-216-077-00	METAL GLAZE 15K	5% 1/10W
R410	1-216-077-00	METAL GLAZE 15K	5% 1/10W
R411	1-216-041-00	METAL GLAZE 470	5% 1/10W
R412	1-216-105-00	METAL GLAZE 220K	5% 1/10W
R413	1-216-081-00	METAL GLAZE 22K	5% 1/10W
R414	1-216-105-00	METAL GLAZE 220K	5% 1/10W
R415	1-216-099-00	METAL GLAZE 120K	5% 1/10W
R416	1-216-105-00	METAL GLAZE 220K	5% 1/10W
R417	1-216-105-00	METAL GLAZE 220K	5% 1/10W
R418	1-216-111-00	METAL GLAZE 390K	5% 1/10W
R419	1-216-089-00	METAL GLAZE 47K	5% 1/10W
R420	1-216-105-00	METAL GLAZE 220K	5% 1/10W
R423	1-216-075-00	METAL GLAZE 12K	5% 1/10W
R424	1-216-075-00	METAL GLAZE 12K	5% 1/10W
R425	1-216-073-00	METAL GLAZE 10K	5% 1/10W
R426	1-216-073-00	METAL GLAZE 10K	5% 1/10W
R427	1-216-057-00	METAL GLAZE 2.2K	5% 1/10W
R428	1-216-057-00	METAL GLAZE 2.2K	5% 1/10W
R429	1-216-049-00	METAL GLAZE 1K	5% 1/10W
R430	1-216-057-00	METAL GLAZE 2.2K	5% 1/10W
R431	1-249-421-11	CARBON 2.2K	5% 1/4W
R432	1-249-421-11	CARBON 2.2K	5% 1/4W
R433	1-249-418-11	CARBON 1.2K	5% 1/4W
R434	1-249-421-11	CARBON 2.2K	5% 1/4W
R435	1-249-421-11	CARBON 2.2K	5% 1/4W
R436	1-249-418-11	CARBON 1.2K	5% 1/4W
R437	1-249-421-11	CARBON 2.2K	5% 1/4W
R438	1-249-421-11	CARBON 2.2K	5% 1/4W
R439	1-249-418-11	CARBON 1.2K	5% 1/4W
R440	1-249-421-11	CARBON 2.2K	5% 1/4W
R441	1-249-421-11	CARBON 2.2K	5% 1/4W
R442	1-249-418-11	CARBON 1.2K	5% 1/4W
R443	1-249-421-11	CARBON 2.2K	5% 1/4W
R444	1-249-421-11	CARBON 2.2K	5% 1/4W
R445	1-249-418-11	CARBON 1.2K	5% 1/4W
R446	1-249-421-11	CARBON 2.2K	5% 1/4W
R447	1-249-421-11	CARBON 2.2K	5% 1/4W
R448	1-249-418-11	CARBON 1.2K	5% 1/4W
R451	1-216-075-00	METAL GLAZE 12K	5% 1/10W
R452	1-216-093-00	METAL GLAZE 68K	5% 1/10W
R453	1-216-073-00	METAL GLAZE 10K	5% 1/10W
R454	1-216-097-00	METAL GLAZE 100K	5% 1/10W
R455	1-216-097-00	METAL GLAZE 100K	5% 1/10W
R456	1-216-081-00	METAL GLAZE 22K	5% 1/10W
R457	1-207-620-00	METAL OXIDE 1	5% 3W F
R458	1-216-025-00	METAL GLAZE 100	5% 1/10W
R459	1-216-025-00	METAL GLAZE 100	5% 1/10W

Ref.No	Part No.	Description	Remark
R461	1-216-057-00	METAL GLAZE 2.2K	5% 1/10W
R462	1-216-691-11	METAL CHIP 47K	0.50% 1/10W
R463	1-216-677-11	METAL CHIP 12K	0.50% 1/10W
R464	1-216-691-11	METAL CHIP 47K	0.50% 1/10W
R465	1-216-677-11	METAL CHIP 12K	0.50% 1/10W
R466	1-216-075-00	METAL GLAZE 12K	5% 1/10W
R467	1-216-073-00	METAL GLAZE 10K	5% 1/10W
R468	1-216-081-00	METAL GLAZE 22K	5% 1/10W
R469	1-216-081-00	METAL GLAZE 22K	5% 1/10W
R470	1-216-061-00	METAL GLAZE 3.3K	5% 1/10W
R471	1-216-049-00	METAL GLAZE 1K	5% 1/10W
R472	1-216-061-00	METAL GLAZE 3.3K	5% 1/10W
R473	1-216-049-00	METAL GLAZE 1K	5% 1/10W
R474	1-216-073-00	METAL GLAZE 10K	5% 1/10W
R476	1-216-057-00	METAL GLAZE 2.2K	5% 1/10W
R477	1-216-057-00	METAL GLAZE 2.2K	5% 1/10W
R481	1-249-433-11	CARBON 22K	5% 1/4W
R482	1-249-429-11	CARBON 10K	5% 1/4W
R484	1-216-049-00	METAL GLAZE 1K	5% 1/10W
R485	1-216-049-00	METAL GLAZE 1K	5% 1/10W
R486	1-216-049-00	METAL GLAZE 1K	5% 1/10W
R496	1-216-049-00	METAL GLAZE 1K	5% 1/10W
R497	1-216-049-00	METAL GLAZE 1K	5% 1/10W
R498	1-216-049-00	METAL GLAZE 1K	5% 1/10W
R499	1-216-079-00	METAL GLAZE 18K	5% 1/10W
R501	1-216-097-00	METAL GLAZE 100K	5% 1/10W
R502	1-216-097-00	METAL GLAZE 100K	5% 1/10W
R503	1-216-073-00	METAL GLAZE 10K	5% 1/10W
R504	1-216-073-00	METAL GLAZE 10K	5% 1/10W
R505	1-216-073-00	METAL GLAZE 10K	5% 1/10W
R506	1-216-093-00	METAL GLAZE 68K	5% 1/10W
R507	1-216-073-00	METAL GLAZE 10K	5% 1/10W
R508	1-216-103-00	METAL GLAZE 180K	5% 1/10W
R509	1-216-095-00	METAL GLAZE 82K	5% 1/10W
R510	1-216-073-00	METAL GLAZE 10K	5% 1/10W
R511	1-216-017-00	METAL GLAZE 47	5% 1/10W
R512	1-216-073-00	METAL GLAZE 10K	5% 1/10W
R513	1-216-049-00	METAL GLAZE 1K	5% 1/10W
R514	1-216-097-00	METAL GLAZE 100K	5% 1/10W
R515	1-216-073-00	METAL GLAZE 10K	5% 1/10W
R516	1-216-049-00	METAL GLAZE 1K	5% 1/10W
R517	1-216-051-00	METAL GLAZE 1.2K	5% 1/10W
R519	1-216-051-00	METAL GLAZE 1.2K	5% 1/10W
R520	1-216-025-00	METAL GLAZE 100	5% 1/10W
R521	1-216-001-00	METAL GLAZE 10	5% 1/10W
R522	1-216-051-00	METAL GLAZE 1.2K	5% 1/10W
R523	1-216-101-00	METAL GLAZE 150K	5% 1/10W
R524	1-216-017-00	METAL GLAZE 47	5% 1/10W
R525	1-216-295-00	METAL GLAZE 0	5% 1/10W
R528	1-216-081-00	METAL GLAZE 22K	5% 1/10W
R530	1-216-073-00	METAL GLAZE 10K	5% 1/10W
R531	1-216-748-11	METAL GLAZE 39K	5% 1/10W
R532	1-216-091-00	METAL GLAZE 56K	5% 1/10W
R533	1-216-065-00	METAL GLAZE 4.7K	5% 1/10W
R534	1-216-035-00	METAL GLAZE 270	5% 1/10W
R535	1-216-085-00	METAL GLAZE 33K	5% 1/10W
R536	1-216-049-00	METAL GLAZE 1K	5% 1/10W
R537	1-216-041-00	METAL GLAZE 470	5% 1/10W
R539	1-216-065-00	METAL GLAZE 4.7K	5% 1/10W
R540	1-216-065-00	METAL GLAZE 4.7K	5% 1/10W
R550	1-216-083-00	METAL GLAZE 27K	5% 1/10W
R551	1-216-081-00	METAL GLAZE 22K	5% 1/10W
R591	1-216-081-00	METAL GLAZE 22K	5% 1/10W
R701	1-216-073-00	METAL GLAZE 10K	5% 1/10W
R902	1-216-065-00	METAL GLAZE 4.7K	5% 1/10W

When indicating parts by reference number, please include the board name.

No.	Part No.	Description	Remark		No.	Part No.	Description	Remark
<u>DIODE</u>					R221	1-216-063-00	METAL GLAZE 3.9K 5%	1/10W
D201	8-719-911-19	DIODE 1SS119		R222	1-216-075-00	METAL GLAZE 12K 5%	1/10W	
D202	8-719-911-19	DIODE 1SS119		R223	1-216-049-00	METAL GLAZE 1K 5%	1/10W	
<u>FILTER</u>					R224	1-216-065-00	METAL GLAZE 4.7K 5%	1/10W
FL201	1-235-925-11	FILTER, BAND PASS (2.3MHZ)		R225	1-216-051-00	METAL GLAZE 1.2K 5%	1/10W	
FL202	1-235-926-11	FILTER, BAND PASS (2.8MHZ)		R226	1-216-051-00	METAL GLAZE 1.2K 5%	1/10W	
<u>IC</u>					R227	1-216-065-00	METAL GLAZE 4.7K 5%	1/10W
IC201	8-759-321-46	IC HA12127NT		R228	1-216-097-00	METAL GLAZE 100K 5%	1/10W	
IC202	8-759-945-58	IC RC4558P		R229	1-216-049-00	METAL GLAZE 1K 5%	1/10W	
<u>JUMPER RESISTOR</u>					R230	1-216-073-00	METAL GLAZE 10K 5%	1/10W
JR201	1-216-296-00	METAL GLAZE 0 5%	1/8W	R231	1-216-073-00	METAL GLAZE 10K 5%	1/10W	
JR202	1-216-296-00	METAL GLAZE 0 5%	1/8W	R232	1-216-748-11	METAL GLAZE 39K 5%	1/10W	
JR203	1-216-296-00	METAL GLAZE 0 5%	1/8W	R233	1-216-069-00	METAL GLAZE 6.8K 5%	1/10W	
JR204	1-216-296-00	METAL GLAZE 0 5%	1/8W	R234	1-216-101-00	METAL GLAZE 150K 5%	1/10W	
JR205	1-216-296-00	METAL GLAZE 0 5%	1/8W	R235	1-216-101-00	METAL GLAZE 150K 5%	1/10W	
JR206	1-216-295-00	METAL GLAZE 0 5%	1/10W	R236	1-216-096-00	METAL GLAZE 91K 5%	1/10W	
JR207	1-216-295-00	METAL GLAZE 0 5%	1/10W	R237	1-216-089-00	METAL GLAZE 47K 5%	1/10W	
<u>COIL</u>					R238	1-216-057-00	METAL GLAZE 2.2K 5%	1/10W
L201	1-408-425-00	INDUCTOR 220UH		R239	1-216-049-00	METAL GLAZE 1K 5%	1/10W	
L202	1-408-417-00	INDUCTOR 47UH		R240	1-216-049-00	METAL GLAZE 1K 5%	1/10W	
L203	1-408-417-00	INDUCTOR 47UH		R241	1-216-060-00	METAL GLAZE 3K 5%	1/10W	
L204	1-408-421-00	INDUCTOR 100UH		R242	1-216-075-00	METAL GLAZE 12K 5%	1/10W	
L205	1-408-409-00	INDUCTOR 10UH		R243	1-216-090-00	METAL GLAZE 51K 5%	1/10W	
L206	1-408-409-00	INDUCTOR 10UH		R244	1-216-090-00	METAL GLAZE 51K 5%	1/10W	
L207	1-410-069-11	INDUCTOR 6.8MMH		R245	1-216-064-00	METAL GLAZE 4.3K 5%	1/10W	
L208	1-410-069-11	INDUCTOR 6.8MMH		R246	1-216-065-00	METAL GLAZE 4.7K 5%	1/10W	
<u>TRANSISTOR</u>					R247	1-216-051-00	METAL GLAZE 1.2K 5%	1/10W
Q201	8-729-100-66	TRANSISTOR 2SC1623		R248	1-216-051-00	METAL GLAZE 1.2K 5%	1/10W	
Q202	8-729-100-66	TRANSISTOR 2SC1623		R249	1-216-065-00	METAL GLAZE 4.7K 5%	1/10W	
Q203	8-729-100-66	TRANSISTOR 2SC1623		R250	1-216-097-00	METAL GLAZE 100K 5%	1/10W	
Q204	8-729-100-66	TRANSISTOR 2SC1623		R251	1-216-073-00	METAL GLAZE 10K 5%	1/10W	
Q205	8-729-100-66	TRANSISTOR 2SC1623		R252	1-216-748-11	METAL GLAZE 39K 5%	1/10W	
Q206	8-729-100-66	TRANSISTOR 2SC1623		R253	1-216-069-00	METAL GLAZE 6.8K 5%	1/10W	
Q208	8-729-218-43	TRANSISTOR 2SK184-GR		R254	1-216-063-00	METAL GLAZE 3.9K 5%	1/10W	
Q210	8-729-218-43	TRANSISTOR 2SK184-GR		R255	1-216-075-00	METAL GLAZE 12K 5%	1/10W	
Q211	8-729-100-66	TRANSISTOR 2SC1623		R257	1-216-089-00	METAL GLAZE 47K 5%	1/10W	
Q212	8-729-901-05	TRANSISTOR DTA124EK		R258	1-216-057-00	METAL GLAZE 2.2K 5%	1/10W	
<u>RESISTOR</u>					R259	1-216-121-00	METAL GLAZE 1M 5%	1/10W
R201	1-216-073-00	METAL GLAZE 10K 5%	1/10W	R260	1-216-059-00	METAL GLAZE 2.7K 5%	1/10W	
R202	1-216-053-00	METAL GLAZE 1.5K 5%	1/10W	R261	1-216-107-00	METAL GLAZE 270K 5%	1/10W	
R203	1-216-048-00	METAL GLAZE 910 5%	1/10W	R262	1-216-129-00	METAL GLAZE 2.2M 5%	1/10W	
R204	1-216-053-00	METAL GLAZE 1.5K 5%	1/10W	R263	1-216-121-00	METAL GLAZE 1M 5%	1/10W	
R205	1-216-033-00	METAL GLAZE 220 5%	1/10W	R266	1-216-049-00	METAL GLAZE 1K 5%	1/10W	
R206	1-216-081-00	METAL GLAZE 22K 5%	1/10W	R267	1-216-107-00	METAL GLAZE 270K 5%	1/10W	
R207	1-216-081-00	METAL GLAZE 22K 5%	1/10W	R268	1-216-129-00	METAL GLAZE 2.2M 5%	1/10W	
R208	1-216-049-00	METAL GLAZE 1K 5%	1/10W	R269	1-216-121-00	METAL GLAZE 1M 5%	1/10W	
R209	1-216-049-00	METAL GLAZE 1K 5%	1/10W	R272	1-216-049-00	METAL GLAZE 1K 5%	1/10W	
R210	1-216-049-00	METAL GLAZE 1K 5%	1/10W	R273	1-216-059-00	METAL GLAZE 2.7K 5%	1/10W	
R211	1-216-067-00	METAL GLAZE 5.6K 5%	1/10W	R274	1-216-037-00	METAL GLAZE 330 5%	1/10W	
R212	1-216-049-00	METAL GLAZE 1K 5%	1/10W	R275	1-216-117-00	METAL GLAZE 680K 5%	1/10W	
R213	1-216-049-00	METAL GLAZE 1K 5%	1/10W	R276	1-216-109-00	METAL GLAZE 330K 5%	1/10W	
R214	1-216-049-00	METAL GLAZE 1K 5%	1/10W	R277	1-216-053-00	METAL GLAZE 1.5K 5%	1/10W	
R215	1-216-067-00	METAL GLAZE 5.6K 5%	1/10W	R278	1-216-039-00	METAL GLAZE 390 5%	1/10W	
R216	1-216-075-00	METAL GLAZE 12K 5%	1/10W	R279	1-216-081-00	METAL GLAZE 22K 5%	1/10W	
R217	1-216-049-00	METAL GLAZE 1K 5%	1/10W	R280	1-216-057-00	METAL GLAZE 2.2K 5%	1/10W	
R218	1-216-059-00	METAL GLAZE 2.7K 5%	1/10W	R281	1-216-077-00	METAL GLAZE 15K 5%	1/10W	
R219	1-216-049-00	METAL GLAZE 1K 5%	1/10W	R282	1-216-085-00	METAL GLAZE 33K 5%	1/10W	
R220	1-216-060-00	METAL GLAZE 3K 5%	1/10W	R283	1-216-077-00	METAL GLAZE 15K 5%	1/10W	
				R284	1-216-041-00	METAL GLAZE 470 5%	1/10W	
<u>VARIABLE RESISTOR</u>					RV201	1-228-995-00	RES. ADJ. CARBON 22K	
				RV202	1-228-995-00	RES. ADJ. CARBON 22K		

When indicating parts by reference number, please include the board name.

Ref.No Part No. Description Remark
 *A-6726-427-A CB-31 BOARD, COMPLETE (Ref. No. 2000 Series)

CAPACITOR

C001	1-130-493-00	MYLAR	0.068MF	5%	50V
C002	1-130-488-00	MYLAR	0.027MF	5%	50V
C003	1-130-488-00	MYLAR	0.027MF	5%	50V
C004	1-163-117-00	CERAMIC CHIP	100PF	5%	50V
C005	1-124-477-11	ELECT	47MF	20%	16V
C006	1-124-477-11	ELECT	47MF	20%	16V
C007	1-126-320-11	ELECT	10MF	20%	16V
C008	1-126-151-11	ELECT	4.7MF	20%	16V
C009	1-126-151-11	ELECT	4.7MF	20%	16V

CONNECTOR

CN001	1-506-483-21	PIN, CONNECTOR 4P
CN003	1-506-473-11	PIN, CONNECTOR 8P
CN004	1-506-470-11	PIN, CONNECTOR 5P
CN005	1-506-482-11	PIN, CONNECTOR 3P

DIODE

D001	8-719-400-18	DIODE MA152WK
D002	8-719-400-18	DIODE MA152WK
D003	8-719-400-18	DIODE MA152WK
D004	8-719-800-76	DIODE ISS226
D005	8-719-800-76	DIODE ISS226
D006	8-719-800-76	DIODE ISS226

IC

IC001	8-759-700-43	IC RC4558M
IC002	8-759-700-43	IC RC4558M
IC003	8-759-981-65	IC LM2903M
IC004	8-759-700-43	IC RC4558M
IC005	8-759-700-43	IC RC4558M

JUMPER RESISTOR

JR001	1-216-295-00	METAL GLAZE	0	5%	1/10W
JR002	1-216-295-00	METAL GLAZE	0	5%	1/10W
JR003	1-216-295-00	METAL GLAZE	0	5%	1/10W
JR004	1-216-295-00	METAL GLAZE	0	5%	1/10W
JR005	1-216-295-00	METAL GLAZE	0	5%	1/10W
JR006	1-216-295-00	METAL GLAZE	0	5%	1/10W
JR007	1-216-295-00	METAL GLAZE	0	5%	1/10W
JR008	1-216-295-00	METAL GLAZE	0	5%	1/10W
JR009	1-216-295-00	METAL GLAZE	0	5%	1/10W
JR010	1-216-295-00	METAL GLAZE	0	5%	1/10W
JR011	1-216-295-00	METAL GLAZE	0	5%	1/10W
JR012	1-216-295-00	METAL GLAZE	0	5%	1/10W
JR015	1-216-295-00	METAL GLAZE	0	5%	1/10W

TRANSISTOR

Q001	8-729-901-00	TRANSISTOR DTC124EK
Q002	8-729-901-04	TRANSISTOR DTA114EK
Q003	8-729-901-04	TRANSISTOR DTA114EK
Q004	8-729-100-66	TRANSISTOR 2SC1623
Q005	8-729-216-22	TRANSISTOR 2SA1162
Q006	8-729-218-43	TRANSISTOR 2SK184-GR
Q007	8-729-100-66	TRANSISTOR 2SC1623
Q008	8-729-100-66	TRANSISTOR 2SC1623
Q009	8-729-216-22	TRANSISTOR 2SA1162
Q010	8-729-216-22	TRANSISTOR 2SA1162

RESISTOR

R001	1-216-089-00	METAL GLAZE	47K	5%	1/10W
R002	1-216-073-00	METAL GLAZE	10K	5%	1/10W

Ref.No	Part No.	Description	Remark
R003	1-216-073-00	METAL GLAZE	10K 5% 1/10W
R004	1-216-057-00	METAL GLAZE	2.2K 5% 1/10W
R005	1-216-073-00	METAL GLAZE	10K 5% 1/10W
R006	1-216-073-00	METAL GLAZE	10K 5% 1/10W
R007	1-216-065-00	METAL GLAZE	4.7K 5% 1/10W
R008	1-216-073-00	METAL GLAZE	10K 5% 1/10W
R009	1-216-097-00	METAL GLAZE	100K 5% 1/10W
R010	1-216-085-00	METAL GLAZE	33K 5% 1/10W
R011	1-216-089-00	METAL GLAZE	47K 5% 1/10W
R012	1-216-073-00	METAL GLAZE	10K 5% 1/10W
R013	1-216-079-00	METAL GLAZE	18K 5% 1/10W
R014	1-216-077-00	METAL GLAZE	15K 5% 1/10W
R015	1-216-097-00	METAL GLAZE	100K 5% 1/10W
R016	1-216-081-00	METAL GLAZE	22K 5% 1/10W
R017	1-216-113-00	METAL GLAZE	470K 5% 1/10W
R018	1-216-073-00	METAL GLAZE	10K 5% 1/10W
R019	1-216-073-00	METAL GLAZE	10K 5% 1/10W
R020	1-216-105-00	METAL GLAZE	220K 5% 1/10W
R021	1-216-105-00	METAL GLAZE	220K 5% 1/10W
R022	1-216-105-00	METAL GLAZE	220K 5% 1/10W
R023	1-216-051-00	METAL GLAZE	1.2K 5% 1/10W
R024	1-216-069-00	METAL GLAZE	6.8K 5% 1/10W
R025	1-216-049-00	METAL GLAZE	1K 5% 1/10W
R026	1-216-051-00	METAL GLAZE	1.2K 5% 1/10W
R027	1-216-079-00	METAL GLAZE	18K 5% 1/10W
R028	1-216-097-00	METAL GLAZE	100K 5% 1/10W
R029	1-216-073-00	METAL GLAZE	10K 5% 1/10W
R030	1-216-047-00	METAL GLAZE	820 5% 1/10W
R031	1-216-109-00	METAL GLAZE	330K 5% 1/10W
R032	1-216-109-00	METAL GLAZE	330K 5% 1/10W
R033	1-216-065-00	METAL GLAZE	4.7K 5% 1/10W
R034	1-216-081-00	METAL GLAZE	22K 5% 1/10W
R035	1-216-073-00	METAL GLAZE	10K 5% 1/10W
R036	1-216-025-00	METAL GLAZE	100 5% 1/10W
R037	1-216-073-00	METAL GLAZE	10K 5% 1/10W
R038	1-216-109-00	METAL GLAZE	330K 5% 1/10W
R039	1-216-109-00	METAL GLAZE	330K 5% 1/10W
R040	1-216-081-00	METAL GLAZE	22K 5% 1/10W
R041	1-216-073-00	METAL GLAZE	10K 5% 1/10W
R042	1-216-047-00	METAL GLAZE	820 5% 1/10W
R043	1-216-025-00	METAL GLAZE	100 5% 1/10W
R044	1-216-049-00	METAL GLAZE	1K 5% 1/10W
R045	1-216-049-00	METAL GLAZE	1K 5% 1/10W
R046	1-216-057-00	METAL GLAZE	2.2K 5% 1/10W
R048	1-216-097-00	METAL GLAZE	100K 5% 1/10W
R049	1-216-057-00	METAL GLAZE	2.2K 5% 1/10W
R051	1-216-049-00	METAL GLAZE	1K 5% 1/10W
R052	1-216-097-00	METAL GLAZE	100K 5% 1/10W
R053	1-216-097-00	METAL GLAZE	100K 5% 1/10W
R054	1-216-097-00	METAL GLAZE	100K 5% 1/10W
R055	1-216-097-00	METAL GLAZE	100K 5% 1/10W
R056	1-216-073-00	METAL GLAZE	10K 5% 1/10W
R057	1-216-073-00	METAL GLAZE	10K 5% 1/10W
R058	1-216-065-00	METAL GLAZE	4.7K 5% 1/10W
R059	1-216-065-00	METAL GLAZE	4.7K 5% 1/10W
R070	1-216-057-00	METAL GLAZE	2.2K 5% 1/10W
R071	1-216-049-00	METAL GLAZE	1K 5% 1/10W
R072	1-216-073-00	METAL GLAZE	10K 5% 1/10W
R073	1-216-073-00	METAL GLAZE	10K 5% 1/10W
R074	1-216-073-00	METAL GLAZE	10K 5% 1/10W
R075	1-216-081-00	METAL GLAZE	22K 5% 1/10W
R076	1-216-069-00	METAL GLAZE	6.8K 5% 1/10W

When indicating parts by reference number, please include the board name.

Ref.No	Part No.	Description	Remark
* A-6421-425-A VP-21 BOARD, COMPLETE (Ref. No. 4000 Series)			

<u>BAND PASS FILTER</u>			
BPF001	1-235-943-11	BPF	
<u>CAPACITOR</u>			
C005	1-124-477-11	ELECT	47MF 20% 16V
C006	1-124-477-11	ELECT	47MF 20% 16V
C011	1-124-477-11	ELECT	47MF 20% 16V
C012	1-163-121-00	CERAMIC CHIP	150PF 5% 50V
C013	1-163-103-00	CERAMIC CHIP	27PF 5% 50V
C014	1-130-487-00	MYLAR	0.022MF 5% 50V
C015	1-123-875-11	ELECT	10MF 20% 50V
C016	1-124-119-00	ELECT	330MF 20% 16V
C020	1-163-101-00	CERAMIC CHIP	22PF 5% 50V
C021	1-163-019-00	CERAMIC CHIP	0.0068MF 10% 50V
C022	1-163-019-00	CERAMIC CHIP	0.0068MF 10% 50V
C023	1-163-019-00	CERAMIC CHIP	0.0068MF 10% 50V
C024	1-163-109-00	CERAMIC CHIP	47PF 5% 50V
C025	1-163-105-00	CERAMIC CHIP	33PF 5% 50V
C026	1-163-122-00	CERAMIC CHIP	160PF 5% 50V
C027	1-124-477-11	ELECT	47MF 20% 16V
C028	1-124-477-11	ELECT	47MF 20% 16V
C029	1-126-101-11	ELECT	100MF 20% 16V
C030	1-124-791-11	ELECT	1MF 20% 50V
C031	1-163-105-00	CERAMIC CHIP	33PF 5% 50V
C032	1-163-112-00	CERAMIC CHIP	62PF 5% 50V
C034	1-124-477-11	ELECT	47MF 20% 16V
C035	1-130-495-00	MYLAR	0.1MF 5% 50V
C036	1-130-495-00	MYLAR	0.1MF 5% 50V
C037	1-130-495-00	MYLAR	0.1MF 5% 50V
C038	1-124-477-11	ELECT	47MF 20% 16V
C039	1-124-477-11	ELECT	47MF 20% 16V
C040	1-130-495-00	MYLAR	0.1MF 5% 50V
C041	1-164-232-11	CERAMIC CHIP	0.01MF 10% 50V
C043	1-124-477-11	ELECT	47MF 20% 16V
C044	1-161-379-00	CERAMIC	0.01MF 30% 16V
C045	1-161-379-00	CERAMIC	0.01MF 30% 16V
C101	1-130-495-00	MYLAR	0.1MF 5% 50V
C102	1-124-477-11	ELECT	47MF 20% 16V
C103	1-124-477-11	ELECT	47MF 20% 16V
C104	1-124-477-11	ELECT	47MF 20% 16V
C105	1-124-477-11	ELECT	47MF 20% 16V
C107	1-163-109-00	CERAMIC CHIP	47PF 5% 50V
C108	1-163-125-00	CERAMIC CHIP	220PF 5% 50V
C109	1-126-160-11	ELECT	1MF 20% 50V
C110	1-124-477-11	ELECT	47MF 20% 16V
C111	1-130-479-00	MYLAR	0.0047MF 5% 50V
C112	1-130-471-00	MYLAR	0.001MF 5% 50V
C113	1-130-495-00	MYLAR	0.1MF 5% 50V
C114	1-163-109-00	CERAMIC CHIP	47PF 5% 50V
C115	1-163-109-00	CERAMIC CHIP	47PF 5% 50V
C116	1-124-477-11	ELECT	47MF 20% 16V
C117	1-130-483-00	MYLAR	0.01MF 5% 50V
C118	1-130-483-00	MYLAR	0.01MF 5% 50V
C119	1-130-483-00	MYLAR	0.01MF 5% 50V
C120	1-124-477-11	ELECT	47MF 20% 16V
C121	1-130-477-00	MYLAR	0.0033MF 5% 50V
C122	1-130-483-00	MYLAR	0.01MF 5% 50V
C123	1-124-477-11	ELECT	47MF 20% 16V
C124	1-163-117-00	CERAMIC CHIP	100PF 5% 50V
C125	1-130-479-00	MYLAR	0.0047MF 5% 50V
C126	1-131-379-00	TANTALUM	22MF 10% 6.3V

Ref.No	Part No.	Description	Remark
C127	1-163-137-00	CERAMIC CHIP	680PF 5% 50V
C128	1-163-125-00	CERAMIC CHIP	220PF 5% 50V
C129	1-163-125-00	CERAMIC CHIP	220PF 5% 50V
C130	1-163-117-00	CERAMIC CHIP	100PF 5% 50V
C131	1-124-477-11	ELECT	47MF 20% 16V
C132	1-124-477-11	ELECT	47MF 20% 16V
C133	1-126-233-11	ELECT	22MF 20% 25V
C134	1-124-477-11	ELECT	47MF 20% 16V
C135	1-130-479-00	MYLAR	0.0047MF 5% 50V
C136	1-163-101-00	CERAMIC CHIP	22PF 5% 50V
C137	1-163-097-00	CERAMIC CHIP	15PF 5% 50V
C138	1-130-487-00	MYLAR	0.022MF 5% 50V
C139	1-124-477-11	ELECT	47MF 20% 16V
C140	1-130-487-00	MYLAR	0.022MF 5% 50V
C141	1-163-105-00	CERAMIC CHIP	33PF 5% 50V
C143	1-124-477-11	ELECT	47MF 20% 16V
C144	1-164-232-11	CERAMIC CHIP	0.01MF 50V
C148	1-163-117-00	CERAMIC CHIP	100PF 5% 50V
C150	1-161-379-00	CERAMIC	0.01MF 30% 16V
C151	1-161-379-00	CERAMIC	0.01MF 30% 16V
C152	1-161-379-00	CERAMIC	0.01MF 30% 16V
C153	1-161-379-00	CERAMIC	0.01MF 30% 16V
<u>CERAMIC FILTER</u>			
CF101	1-527-604-00	FILTER, CERAMIC	
<u>CONNECTOR</u>			
CN001	1-506-467-11	PIN, CONNECTOR 2P	
CN002	1-506-469-11	PIN, CONNECTOR 4P	
CN003	1-506-467-11	PIN, CONNECTOR 2P	
CN004	1-506-470-11	PIN, CONNECTOR 5P	
CN005	1-506-470-11	PIN, CONNECTOR 5P	
<u>DIODE</u>			
D001	8-719-911-19	DIODE 1SS119	
D101	8-719-911-19	DIODE 1SS119	
<u>DELAY LINE</u>			
DL001	1-415-515-11	DELAY LINE	
<u>IC</u>			
IC001	8-759-600-99	IC M51481P	
IC002	8-752-006-12	IC CX20061	
IC003	8-752-330-16	IC CXL5005P	
IC101	8-752-320-31	IC CXL1004P	
IC102	8-752-030-44	IC CXA1018S	
IC103	8-759-950-07	IC SN75107BN	
<u>COIL</u>			
L001	1-410-521-11	INDUCTOR	100UH
L002	1-410-521-11	INDUCTOR	100UH
L003	1-410-521-11	INDUCTOR	100UH
L004	1-410-521-11	INDUCTOR	100UH
L005	1-410-521-11	INDUCTOR	100UH
L006	1-410-521-11	INDUCTOR	100UH
L007	1-410-515-11	INDUCTOR	33UH
L008	1-410-521-11	INDUCTOR	100UH
L009	1-410-513-11	INDUCTOR	22UH
L101	1-410-509-11	INDUCTOR	10UH
L102	1-410-522-11	INDUCTOR	120UH
L103	1-410-509-11	INDUCTOR	10UH
L104	1-410-509-11	INDUCTOR	10UH
L105	1-410-509-11	INDUCTOR	10UH
L106	1-410-509-11	INDUCTOR	10UH

When indicating parts by reference number, please include the board name.

Ref.No	Part No.	Description	Remark
L107	1-410-521-11	INDUCTOR 100UH	
L108	1-410-521-11	INDUCTOR 100UH	
L109	1-410-509-11	INDUCTOR 10UH	
L110	1-410-513-11	INDUCTOR 22UH	

LOWPASS FILTER

LPF001	1-235-924-11	FILTER, LOW PASS (4.5MHZ)	
LPF101	1-235-923-11	FILTER, LOW PASS (5MHZ)	

TRANSISTOR

Q003	8-729-100-66	TRANSISTOR 2SC1623	
Q005	8-729-100-66	TRANSISTOR 2SC1623	
Q006	8-729-100-66	TRANSISTOR 2SC1623	
Q007	8-729-100-66	TRANSISTOR 2SC1623	
Q008	8-729-100-66	TRANSISTOR 2SC1623	
Q009	8-729-100-66	TRANSISTOR 2SC1623	
Q010	8-729-100-66	TRANSISTOR 2SC1623	
Q011	8-729-100-66	TRANSISTOR 2SC1623	
Q012	8-729-100-66	TRANSISTOR 2SC1623	
Q013	8-729-216-22	TRANSISTOR 2SA1162	
Q014	8-729-100-66	TRANSISTOR 2SC1623	
Q101	8-729-100-66	TRANSISTOR 2SC1623	
Q102	8-729-100-66	TRANSISTOR 2SC1623	
Q103	8-729-100-66	TRANSISTOR 2SC1623	
Q105	8-729-100-66	TRANSISTOR 2SC1623	
Q106	8-729-100-66	TRANSISTOR 2SC1623	
Q107	8-729-216-22	TRANSISTOR 2SA1162	
Q108	8-729-100-66	TRANSISTOR 2SC1623	
Q109	8-729-216-22	TRANSISTOR 2SA1162	
Q110	8-729-103-19	TRANSISTOR 2SA1206-K1	
Q111	8-729-190-12	TRANSISTOR 2SC2901-K	
Q112	8-729-100-66	TRANSISTOR 2SC1623	
Q113	8-729-216-22	TRANSISTOR 2SA1162	
Q114	8-729-100-66	TRANSISTOR 2SC1623	

RESISTOR

R008	1-216-049-00	METAL GLAZE 1K	5%	1/10W
R009	1-216-049-00	METAL GLAZE 1K	5%	1/10W
R010	1-216-049-00	METAL GLAZE 1K	5%	1/10W
R011	1-216-049-00	METAL GLAZE 1K	5%	1/10W
R016	1-216-081-00	METAL GLAZE 22K	5%	1/10W
R017	1-216-057-00	METAL GLAZE 2.2K	5%	1/10W
R018	1-216-049-00	METAL GLAZE 1K	5%	1/10W
R019	1-216-055-00	METAL GLAZE 1.8K	5%	1/10W
R020	1-216-041-00	METAL GLAZE 470	5%	1/10W
R021	1-216-049-00	METAL GLAZE 1K	5%	1/10W
R022	1-216-049-00	METAL GLAZE 1K	5%	1/10W
R023	1-216-041-00	METAL GLAZE 470	5%	1/10W
R024	1-216-051-00	METAL GLAZE 1.2K	5%	1/10W
R025	1-216-045-00	METAL GLAZE 680	5%	1/10W
R026	1-216-041-00	METAL GLAZE 470	5%	1/10W
R027	1-216-049-00	METAL GLAZE 1K	5%	1/10W
R028	1-216-049-00	METAL GLAZE 1K	5%	1/10W
R029	1-216-041-00	METAL GLAZE 470	5%	1/10W
R030	1-216-049-00	METAL GLAZE 1K	5%	1/10W
R031	1-216-039-00	METAL GLAZE 390	5%	1/10W
R032	1-216-049-00	METAL GLAZE 1K	5%	1/10W
R033	1-216-049-00	METAL GLAZE 1K	5%	1/10W
R034	1-216-083-00	METAL GLAZE 27K	5%	1/10W
R035	1-216-085-00	METAL GLAZE 33K	5%	1/10W
R036	1-216-049-00	METAL GLAZE 1K	5%	1/10W
R037	1-216-049-00	METAL GLAZE 1K	5%	1/10W
R038	1-216-121-00	METAL GLAZE 1M	5%	1/10W
R039	1-216-067-00	METAL GLAZE 5.6K	5%	1/10W
R040	1-216-049-00	METAL GLAZE 1K	5%	1/10W
R041	1-216-049-00	METAL GLAZE 1K	5%	1/10W

Ref.No	Part No.	Description	Remark
R042	1-216-049-00	METAL GLAZE 1K	5% 1/10W
R044	1-216-053-00	METAL GLAZE 1.5K	5% 1/10W
R045	1-216-091-00	METAL GLAZE 56K	5% 1/10W
R046	1-216-073-00	METAL GLAZE 10K	5% 1/10W
R047	1-216-041-00	METAL GLAZE 470	5% 1/10W

R050	1-216-025-00	METAL GLAZE 100	5% 1/10W
R101	1-216-049-00	METAL GLAZE 1K	5% 1/10W
R102	1-216-049-00	METAL GLAZE 1K	5% 1/10W
R103	1-216-121-00	METAL GLAZE 1M	5% 1/10W
R104	1-216-049-00	METAL GLAZE 1K	5% 1/10W

R105	1-216-025-00	METAL GLAZE 100	5% 1/10W
R106	1-216-057-00	METAL GLAZE 2.2K	5% 1/10W
R107	1-216-099-00	METAL GLAZE 120K	5% 1/10W
R108	1-216-109-00	METAL GLAZE 330K	5% 1/10W
R109	1-216-075-00	METAL GLAZE 12K	5% 1/10W

R110	1-216-089-00	METAL GLAZE 47K	5% 1/10W
R111	1-216-097-00	METAL GLAZE 100K	5% 1/10W
R112	1-216-748-11	METAL GLAZE 39K	5% 1/10W
R113	1-216-097-00	METAL GLAZE 100K	5% 1/10W
R114	1-216-095-00	METAL GLAZE 82K	5% 1/10W

R115	1-216-113-00	METAL GLAZE 470K	5% 1/10W
R116	1-216-057-00	METAL GLAZE 2.2K	5% 1/10W
R117	1-216-097-00	METAL GLAZE 100K	5% 1/10W
R118	1-216-113-00	METAL GLAZE 470K	5% 1/10W
R119	1-216-083-00	METAL GLAZE 27K	5% 1/10W

R120	1-216-097-00	METAL GLAZE 100K	5% 1/10W
R121	1-216-089-00	METAL GLAZE 47K	5% 1/10W
R122	1-216-105-00	METAL GLAZE 220K	5% 1/10W
R123	1-216-049-00	METAL GLAZE 1K	5% 1/10W
R124	1-216-109-00	METAL GLAZE 330K	5% 1/10W

R125	1-216-023-00	METAL GLAZE 82	5% 1/10W
R126	1-216-061-00	METAL GLAZE 3.3K	5% 1/10W
R127	1-216-089-00	METAL GLAZE 47K	5% 1/10W
R128	1-216-109-00	METAL GLAZE 330K	5% 1/10W
R129	1-216-075-00	METAL GLAZE 12K	5% 1/10W

R130	1-216-748-11	METAL GLAZE 39K	5% 1/10W
R131	1-216-091-00	METAL GLAZE 56K	5% 1/10W
R132	1-216-049-00	METAL GLAZE 1K	5% 1/10W
R133	1-216-097-00	METAL GLAZE 100K	5% 1/10W
R134	1-216-097-00	METAL GLAZE 100K	5% 1/10W

R135	1-216-055-00	METAL GLAZE 1.8K	5% 1/10W
R136	1-216-055-00	METAL GLAZE 1.8K	5% 1/10W
R137	1-216-049-00	METAL GLAZE 1K	5% 1/10W
R138	1-216-053-00	METAL GLAZE 1.5K	5% 1/10W
R139	1-216-057-00	METAL GLAZE 2.2K	5% 1/10W

R140	1-216-041-00	METAL GLAZE 470	5% 1/10W
R141	1-216-045-00	METAL GLAZE 680	5% 1/10W
R142	1-216-049-00	METAL GLAZE 1K	5% 1/10W
R143	1-216-061-00	METAL GLAZE 3.3K	5% 1/10W
R144	1-216-049-00	METAL GLAZE 1K	5% 1/10W

R145	1-216-049-00	METAL GLAZE 1K	5% 1/10W
R146	1-216-049-00	METAL GLAZE 1K	5% 1/10W
R147	1-216-049-00	METAL GLAZE 1K	5% 1/10W
R148	1-216-083-00	METAL GLAZE 27K	5% 1/10W
R149	1-216-049-00	METAL GLAZE 1K	5% 1/10W

R150	1-216-041-00	METAL GLAZE 470	5% 1/10W
R151	1-216-041-00	METAL GLAZE 470	5% 1/10W
R152	1-216-049-00	METAL GLAZE 1K	5% 1/10W
R153	1-216-077-00	METAL GLAZE 15K	5% 1/10W

VARIABLE RESISTOR

RV004	1-228-993-00	RES, ADJ, CARBON 4.7K	
RV005	1-230-504-11	RES, ADJ, CARBON 220	
RV006	1-228-993-00	RES, ADJ, CARBON 4.7K	
RV101	1-228-994-00	RES, ADJ, CARBON 10K	
RV103	1-228-995-00	RES, ADJ, CARBON 22K	

When indicating parts by reference number, please include the board name.

VP-21

AC-80

MD-43

MD-44

PW-90, 91

FP-300

SW-151

SW-152

Ref.No	Part No.	Description	Remark
RV104	1-228-991-00	RES, ADJ, CARBON 2.2K	
RV105	1-230-504-11	RES, ADJ, CARBON 220	

Ref.No	Part No.	Description	Remark
*1-634-266-11	PW-90 BOARD (Ref. No. 8000 Series)		
*1-634-267-11	PW-91 BOARD (Ref. No. 8000 Series)		

*1-634-263-11 AC-80 BOARD (Ref. No. 5000 Series)

△1-533-189-11 HOLDER, FUSE

CAPACITOR

C001	△1-136-345-51	FILM	0.1MF	20%	125V
C002	.1-161-742-00	CERAMIC	0.0022MF	20%	400V

CONNECTOR

CN001	△1-564-419-11	HEADER, SPRING (POWER) 2P
CN002	*1-506-371-21	PIN, CONNECTOR 2P
CN003	*1-564-420-11	HEADER, SPRING (POWER) 3P

FUSE

F001	△1-532-742-11	FUSE, GLASS TUBE 1.6A 1.25V
------	---------------	-----------------------------

RESISTOR

R001	△1-202-663-51	SOLID	5.6M	20%	1/2W
------	---------------	-------	------	-----	------

TRANSFORMER

T001	△1-421-771-11	FILTER, LINE
------	---------------	--------------

*1-634-274-11 MD-43 BOARD (Ref. No. 1000 Series)

CAPACITOR

C802	1-161-494-00	CERAMIC	0.022MF	25V
------	--------------	---------	---------	-----

CONNECTOR

CN802	*1-560-890-00	PIN, CONNECTOR 2P
-------	---------------	-------------------

*1-634-275-11 MD-44 BOARD (Ref. No. 1000 Series)

CAPACITOR

C803	1-161-494-00	CERAMIC	0.022MF	25V
C804	1-126-233-11	ELECT	22MF	20% 25V

CONNECTOR

CN803	*1-560-892-00	PIN, CONNECTOR 4P
-------	---------------	-------------------

IC

IC801	8-759-962-08	IC BA6208
-------	--------------	-----------

RESISTOR

R801	1-247-731-11	CARBON	22	5%	1/2W F
------	--------------	--------	----	----	--------

CONNECTOR

CN031	△1-564-420-11	HEADER, SPRING (POWER) 3P
-------	---------------	---------------------------

TRANSFORMER

PT031	△1-449-667-11	TRANSFORMER, POWER
-------	---------------	--------------------

*1-634-264-11 FP-300 BOARD (Ref. No. 3000 Series)

*3-728-445-01 HOLDER, LED

CONNECTOR

CN011	1-506-485-11	PIN, CONNECTOR 6P
-------	--------------	-------------------

DIODE

D011	8-719-920-66	DIODE SLR-54VC12 (EXT CPU)
D012	8-719-955-04	DIODE PY5504S-1 (IN USE)

TRANSISTOR

Q011	8-729-900-36	TRANSISTOR DTC124ES
Q012	8-729-900-36	TRANSISTOR DTC124ES

RESISTOR

R011	1-249-410-11	CARBON	270	5%	1/4W
R012	1-249-410-11	CARBON	270	5%	1/4W
R013	1-249-429-11	CARBON	10K	5%	1/4W

SWITCH

S011	1-570-472-11	SWITCH, KEY BOARD (OPEN/CLOSE)
------	--------------	--------------------------------

*1-634-269-11 SW-151 BOARD (Ref. No. 1000 Series)

DIODE

D204	8-719-950-63	DIODE GP1S17
D205	8-719-950-63	DIODE GP1S17
D206	8-719-950-63	DIODE GP1S17

RESISTOR

R202	1-249-407-11	CARBON	150	5%	1/4W
R203	1-249-434-11	CARBON	27K	5%	1/4W
R204	1-249-407-11	CARBON	150	5%	1/4W
R205	1-249-434-11	CARBON	27K	5%	1/4W
R206	1-249-407-11	CARBON	150	5%	1/4W
R207	1-249-434-11	CARBON	27K	5%	1/4W

*1-634-270-11 SW-152 BOARD (Ref. No. 1000 Series)

DIODE

D202	8-719-920-74	DIODE EE-SF5-B
D203	8-719-920-74	DIODE EE-SF5-B

When indicating parts by reference number, please include the board name.

Note:
The components identified by mark △ or dotted line with mark △ are critical for safety. Replace only with part number specified.

Note:
Les composants identifiés par une marque △ sont critiques pour la sécurité. Ne les remplacer que par une pièce portant le numéro spécifié.

Ref.No Part No. Description Remark

*1-634-262-11 DC-42 BOARD (Ref. No. 6000 Series)

TRANSISTOR

Q705 8-729-804-17 TRANSISTOR 2SD1666-R
Q706 8-729-804-68 TRANSISTOR 2SB1133-S

*1-634-268-11 SW-150 BOARD (Ref. No. 1000 Series)

DIODE

D201 8-719-939-05 DIODE GP1S54

RESISTOR

R201 1-249-407-11 CARBON 150 5% 1/4W

*1-634-261-11 DC-41 BOARD (Ref. No. 6000 Series)

TRANSISTOR

Q704 8-729-804-68 TRANSISTOR 2SB1133-R

*1-634-273-11 MD-42 BOARD (Ref. No. 1000 Series)

CAPACITOR

C801 1-161-494-00 CERAMIC 0.022MF 25V

CONNECTOR

CN801 *1-560-890-00 PIN, CONNECTOR 2P

MOTOR

M904 1-541-659-11 MOTOR, DC (SLIDE)

*1-634-271-11 SW-153 BOARD (Ref. No. 1000 Series)

DIODE

D207 8-719-939-05 DIODE GP1S54
D208 8-719-939-05 DIODE GP1S54

RESISTOR

R208 1-249-407-11 CARBON 150 5% 1/4W
R209 1-249-429-11 CARBON 10K 5% 1/4W
R210 1-249-407-11 CARBON 150 5% 1/4W
R211 1-249-429-11 CARBON 10K 5% 1/4W

When indicating parts by reference number, please include the board name.

Ref.No Part No. Description Remark

MISCELLANEOUS

1-526-920-12 AC OUTLET (WITH EARTH)
1-534-517-81 CORD, POWER (SJT)
8-848-069-01 DEVICE, OPTICS KSC-120A
J901 1-507-195-21 SPECIAL REMOTE CONTROL JACK
M901 A-6491-037-A MOTOR ASSY, SPINDLE
M902 X-3713-206-1 MOTOR BLOCK ASSY, SKEW
M903 X-3713-208-1 MOTOR ASSY, LD (LOADING)
S301 1-570-810-11 SWITCH, PUSH (1 KEY) (CHUCK)

ACCESSORIES & PACKING MATERIALS

*3-694-922-01 SHEET, PROTECTION
*3-728-471-01 CUSHION (UPPER)
*3-728-472-01 CUSHION (LOWER)
*3-728-488-01 INDIVIDUAL CARTON
3-751-327-21 MANUAL, INSTRUCTION (ENGLISH, FRENCH)
3-751-745-21 INSTRUCTION

HARDWARE LIST

7-685-648-79 SCREW, TAPPING
7-682-545-04 SCREW +P 3X4
7-682-547-04 SCREW +B 3X6
7-682-560-04 SCREW +B 4X6
7-682-647-09 SCREW +PSW 3X6
7-682-661-09 SCREW +PSW 4X8
7-685-645-79 SCREW +BVTP 3X6 TYPE2 IT-3
7-685-646-79 SCREW +BVTP 3X8 TYPE2 IT-3
7-685-646-79 HEAD, WASHER, TAPPING SCREW
7-685-647-79 SCREW +BVTP 3X10 TYPE2 IT-3
7-685-648-79 SCREW +BVTP 3X12 TYPE2 IT-3

Note: The components identified by mark A or dotted line with mark A are critical for safety. Replace only with part number specified.

Note: Les composants identifiés par une marque A sont critiques pour la sécurité. Ne les remplacer que par une pièce portant le numéro spécifié.