



Preview

Features

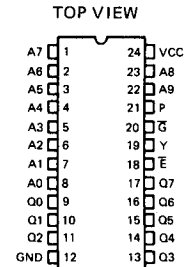
- SUPER LOW POWER STANDBY 500 μ W MAX.
- LOW POWER OPERATION 50mW/MHz MAX.
- FAST ACCESS 350ns MAX.
- INDUSTRY STANDARD PINOUT
- SINGLE SUPPLY 5 VOLT VCC
- TTL COMPATIBLE INPUTS
- HIGH OUTPUT DRIVE 2 STD. TTL LOADS
- ON CHIP ADDRESS LATCHES
- EASY MICROPROCESSOR INTERFACING
- WIDE TEMPERATURE RANGE

Description

The HM-6758 is a CMOS 1024 x 8 ultra-violet Erasable Programmable Read Only Memory. Extremely low power operation is achieved by the use of complementary MOS design techniques. This low power is further enhanced by the use of synchronous circuit techniques that keep the active (operating) power low, and also give fast access times. The pinout of the HM-6758 is very much like the industry standard 2758. This pinout also allows easy upgrading of the memory array to the HM-6716, 2048 by 8 UV EPROM.

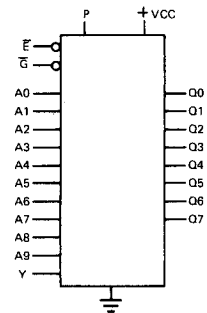
The HM-6758 is supplied in two versions, the HM-6758H and the HM-6758L. The H or L is used to designate the logic level to be connected to the Y input. If an HM-6758H is procured the user must connect the Y input to VCC in the system. If an HM-6758L is used the Y input must be connected to system ground.

Pinout



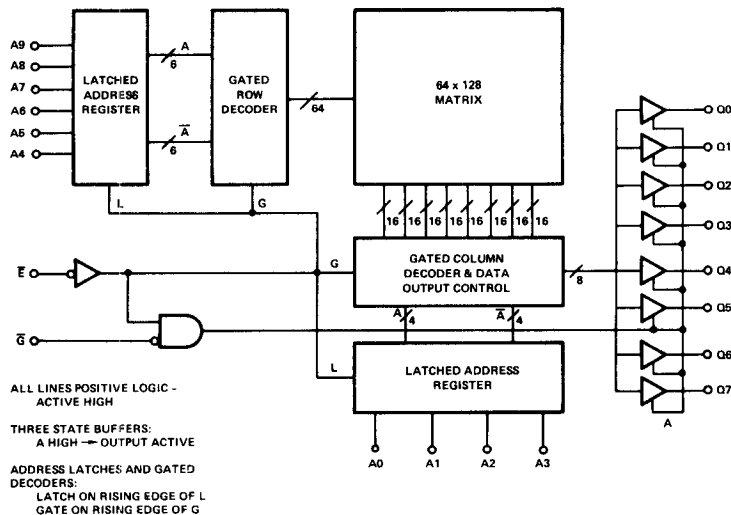
- A Address Input
- Q Data Output
- E Chip Enable
- \bar{G} Output Enable
- P Program Enable
- Y Hard Wired Input

Logic Symbol



3

Functional Diagram



Data Entry Formats for Harris Custom Programming *

For Harris to custom program to a user data pattern specification, the user must supply the data in one of the following formats:

1. Master PROM of same organization and pinout as device ordered. Two pieces required, three preferred.
2. Paper tape in Binary or ASCII BPNF.

* BINARY PAPER TAPE FORMAT

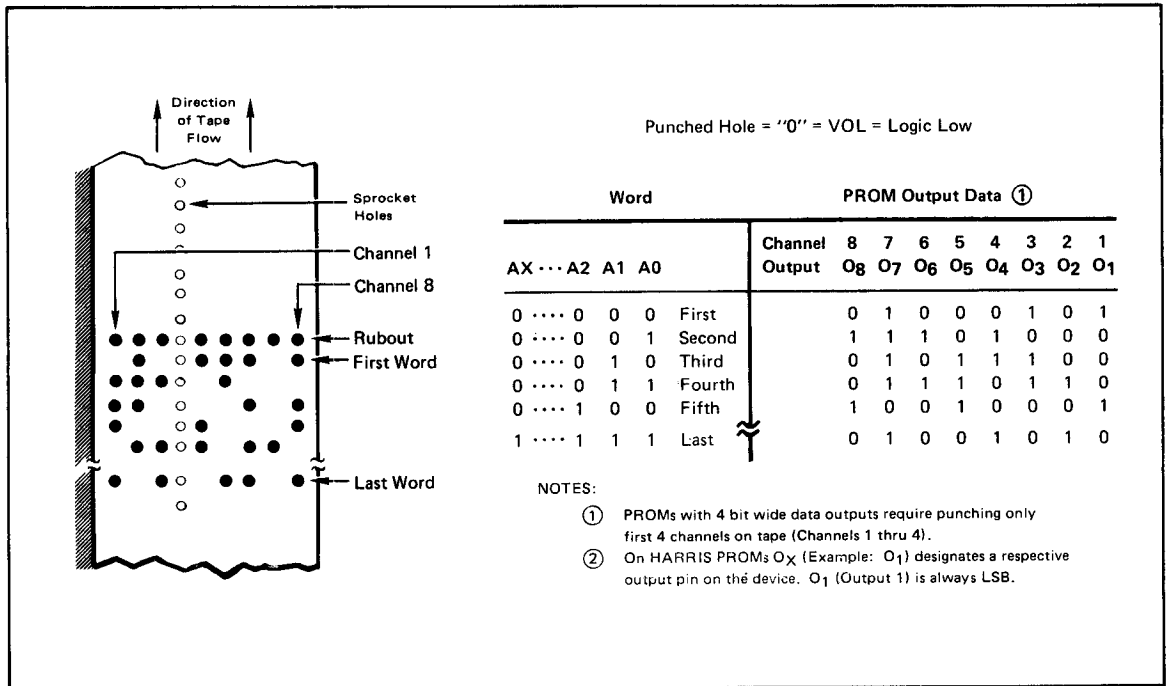
- A minimum of six inches of leader.
- A rubout (all eight locations punched).
- Data words beginning with the first word (word "0"), proceeding sequentially, ending with the last word (word "N"), with no interruptions or extraneous characters of any kind.
- Specify whether a punched hole is a VOH = "1" = logic high or is a VOL = "0" = logic low.
- A minimum trailer of six inches of tape.

* ASCII BPNF FORMAT

- A minimum leader of twenty rubouts (all eight locations punched).
- Any characters desired (none necessary) except "B".
- Data words beginning with the first word (word "0"), proceeding sequentially, ending with the last word (word "N").
- Data words consist of:
 1. The character "B" denoting the beginning of a data word.
 2. A sequence of characters, only "P" or "N", one character for each bit in the word.
 3. The character "F" denoting the finish of the data word.
- No extraneous characters of any kind may appear within a data word (between any "B" and the next "F").
- Errors may be deleted by rubouts superimposed over the entire word including the "B", and beginning the word again with a new "B".
- Any text of any kind (except the character "B") is allowed between data words (between any "F" and the next "B"), including carriage return and line feed.
- A minimum trailer of twenty-five rubouts.
- Specify whether a "P" is a "1" = VOH = logic high or is a "0" = VOL = logic low.
- The use of even or odd parity is optional.

* *Harris can not assume responsibility for PROMs programmed to data tapes or masters which contain errors. The user must insure the accuracy of the data provided to Harris. Harris guarantees that the programmed PROMs will contain the information provided if either of the following formats are followed.*

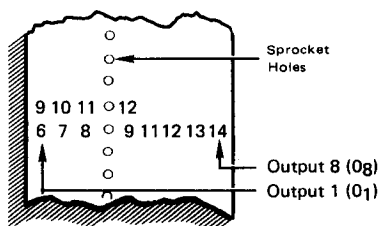
BINARY PAPER TAPE EXAMPLE



DEVICE OUTPUT PACKAGE PINS

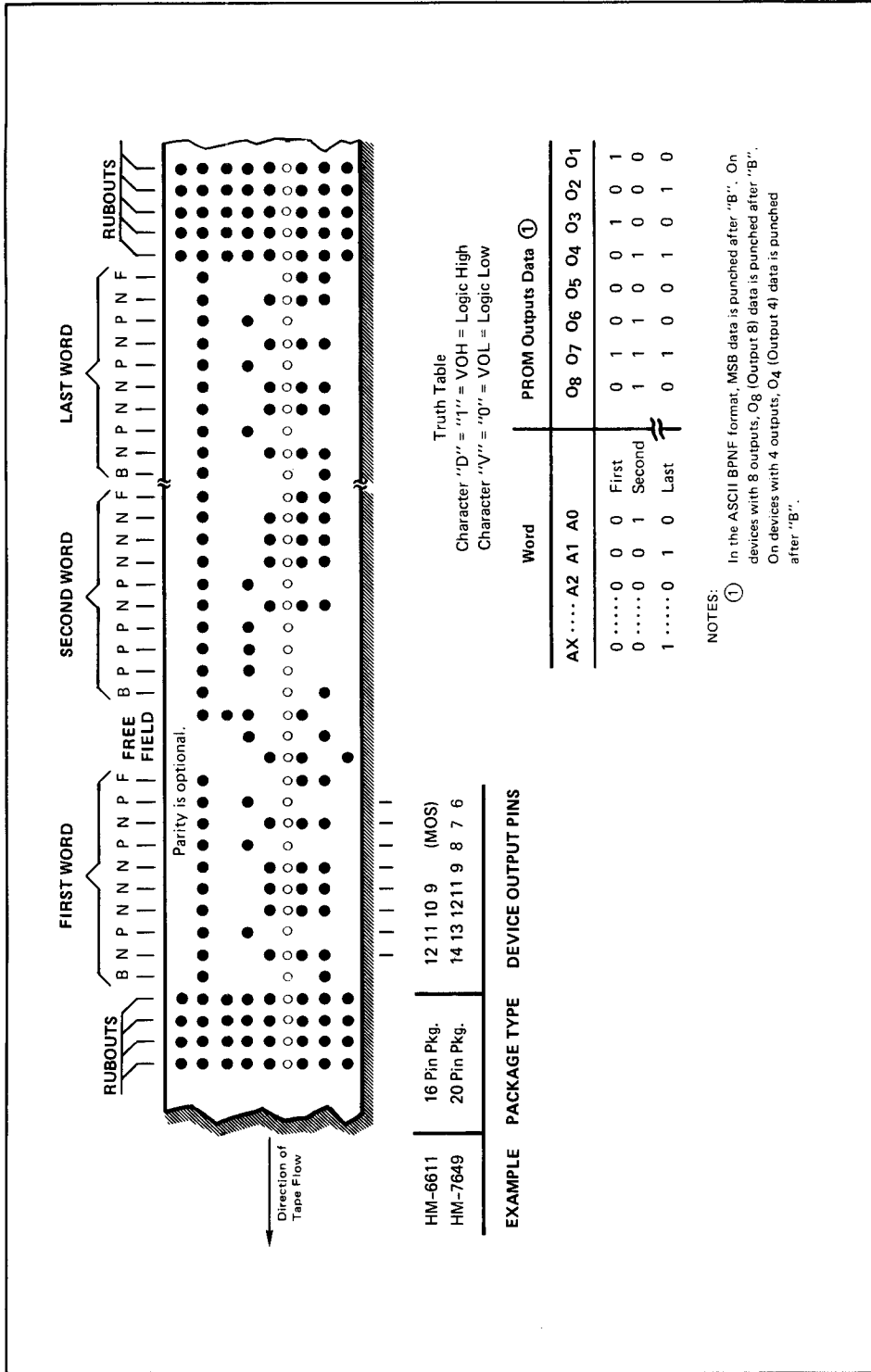
3

EXAMPLE:



Package	Device Type
16 Pin CMOS	HM-6611
20 Pin Bipolar	HM-7649

ASCII BPNF PAPER TAPE EXAMPLE



HM-6611	16 Pin Pkg.	12 11 10 9	(MOS)
HM-7649	20 Pin Pkg.	14 13 12 11 9 8 7 6	

EXAMPLE PACKAGE TYPE DEVICE OUTPUT PINS

Truth Table
 Character "D" = "1" = VOH = Logic High
 Character "V" = "0" = VOL = Logic Low

Word	PROM Outputs Data ①							
AX ... A2 A1 A0	O8	O7	O6	O5	O4	O3	O2	O1
0 0 0 First	0	1	0	0	0	1	0	1
0 0 1 Second	1	1	1	0	1	0	0	0
1 0 1 0 Last	0	1	0	0	1	0	1	0

NOTES:
 ① In the ASCII BPNF format, MSB data is punched after "B". On devices with 8 outputs, O8 (Output 8) data is punched after "B". On devices with 4 outputs, O4 (Output 4) data is punched after "B".