

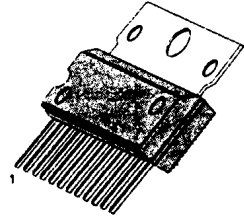
4.6W DUAL POWER AMP

The KA22065 is a monolithic integrated circuit consisting of a 2-channel power amplifier with power on/off (stand-by switch) function. It is suitable for portable radio cassette recorders.

FEATURES

- 2-channel amplifier: $4.6W \times 2$ (typ.)
- Low quiescent circuit current: $I_{cc} = 21mA$ (typ.)
- High output ($P_o = 4.6W$, $V_{cc} = 12V/8W$)
- Small pop noise at power on
- Minimum external parts required
- Supply voltage: 6 V to 15 V
- Includes the thermal protection circuit
- Connect H/S to GND

12-SIPH-B



ORDERING INFORMATION

Device	Package	Operating Temperature
KA22065	12-SIPH-B	-20~+70°C

BLOCK DIAGRAM

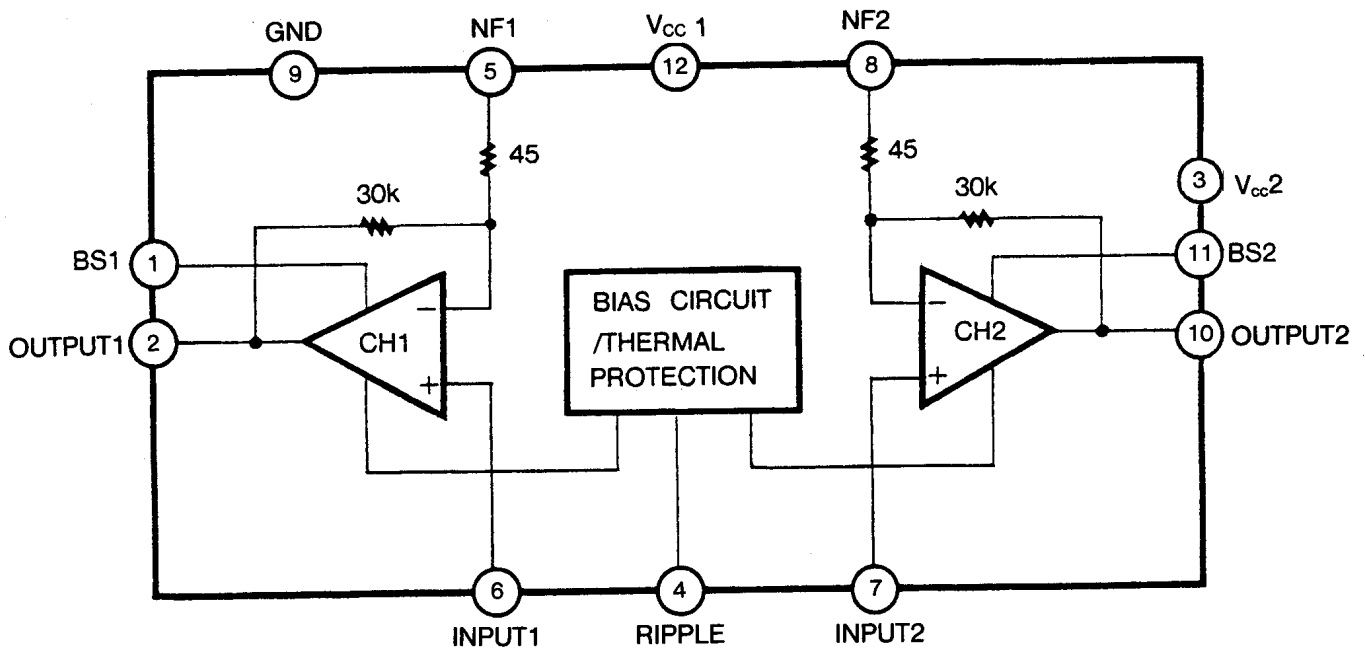


Fig. 1.

ABSOLUTE MAXIMUM RATINGS (Ta=25°C)

Characteristic	Symbol	Value	Unit
Supply Voltage	V _{CC}	20	V
Output Current (Channel)	I _o (peak)	2.5	A
Power Dissipation	P _d	12.5	W
Operating Temperature	T _{opr}	-20~+70	°C
Storage Temperature	T _{stg}	-40~+150	°C

ELECTRICAL CHARACTERISTICS(Ta=25°C, V_{CC}=9V, R_L=4Ω, f=KHz, R_g=600Ω, unless otherwise specified)

Characteristic	Symbol	Test Condition	Min	Typ	Max	Unit
Quiescent Circuit Current	I _{CC}	V _i =0		21	45	mA
Output Power	P _{O1}	THD=10%	2.0	2.5		W
	P _{O2}	THD=10%, V _{CC} =12V	4.0	4.6		W
Total Harmonic Distortion	THD	P _O =1W/CH		0.2	0.9	%
Voltage Gain (Closed Loop)	AV ₁	R _f =120Ω, V _O =0.775V	43	45	47	dB
	AV ₂	R _f =0Ω, V _O =0.775V	54.5	56.5	58.5	dB
Input Resistance	R _i		24	30	36	KΩ
Output Noise Voltage	V _{NO}	R _g =10KΩ, BW=20Hz-20KHz		0.3	1.0	mV
Ripple Rejection Ratio	R R	R _g =600Ω, f=120Hz	44	52		dB
Cross Talk	C.T	R _g =10KΩ, V _O =0dBm, f=1KHz	40	50		dB
Input Offset Voltage	V ₅ ,V ₇			30	60	mV
Stand By Current	I _{sb}	SW1 Off		1	20	μA

TEST AND APPLICATION CIRCUIT

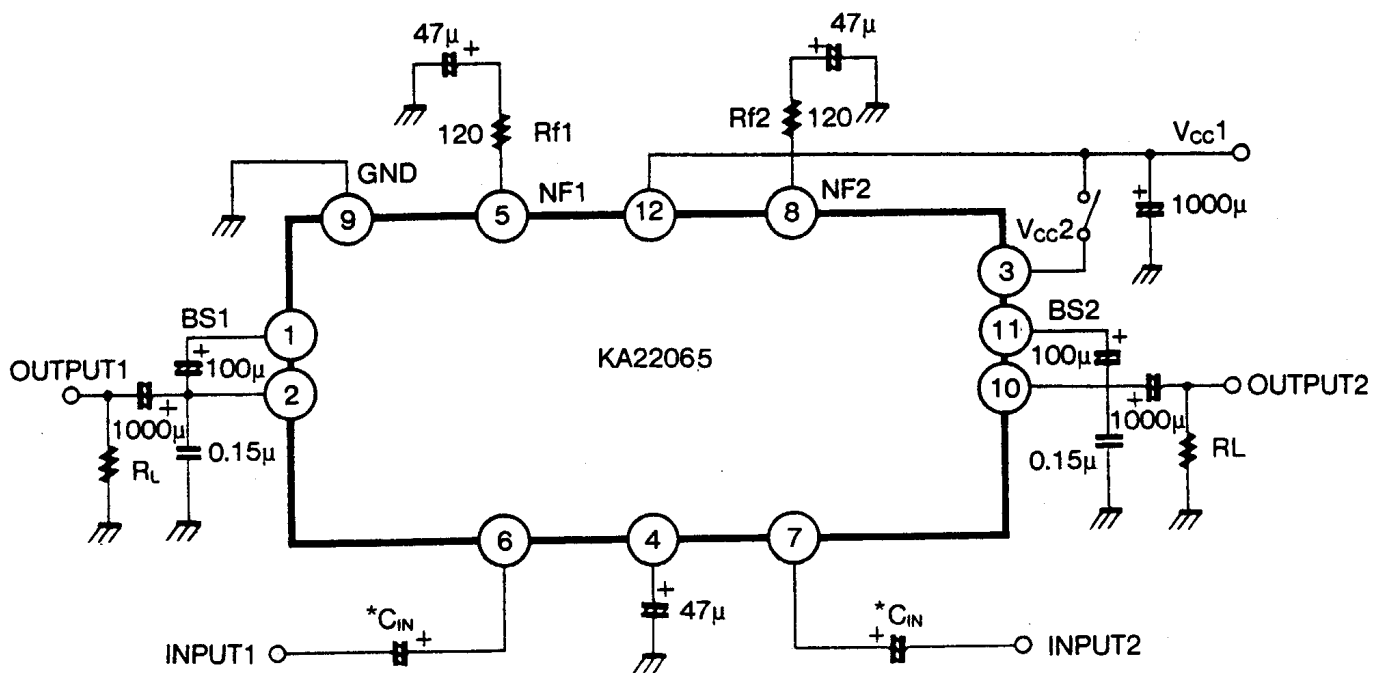


Fig. 2.