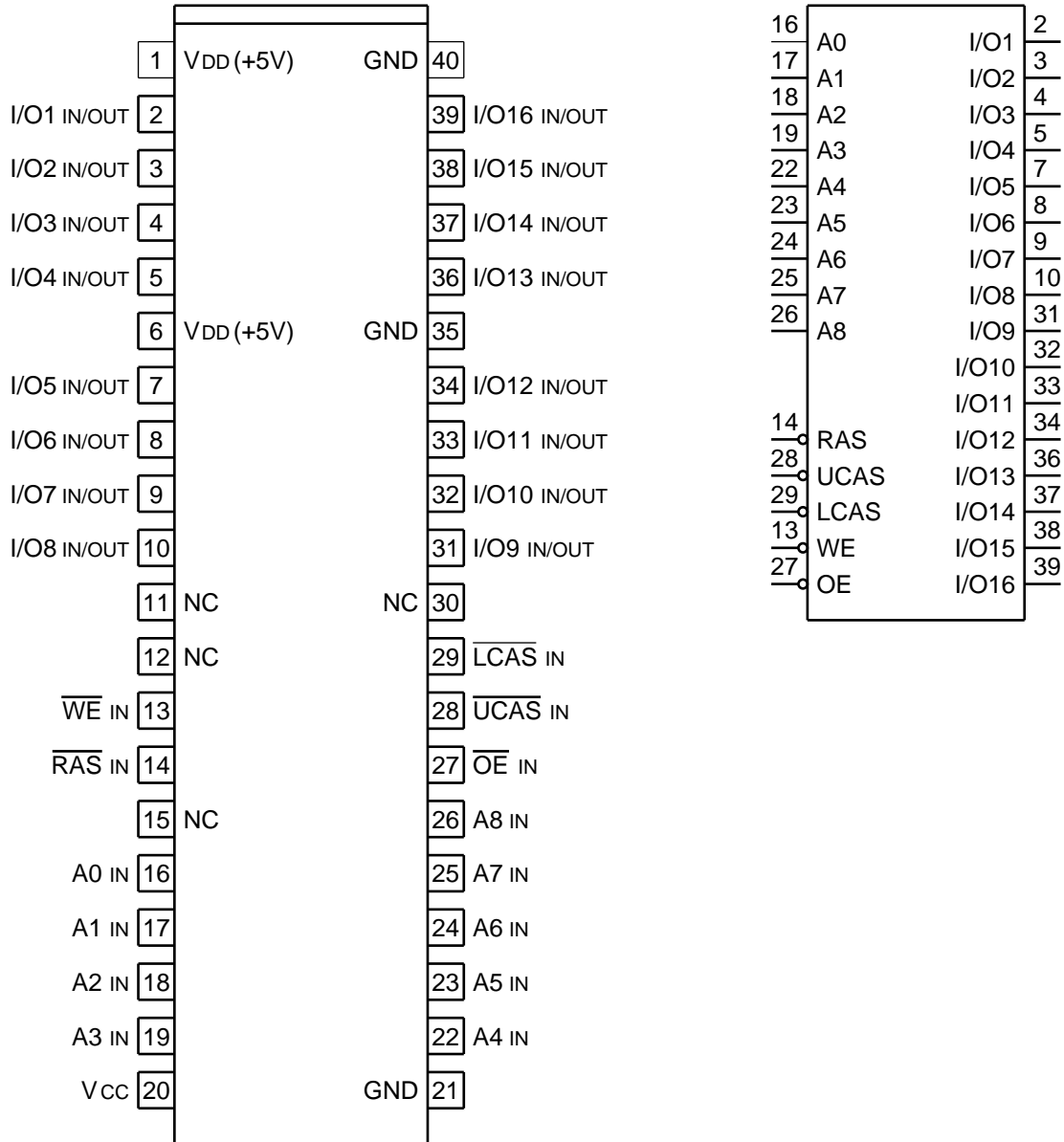
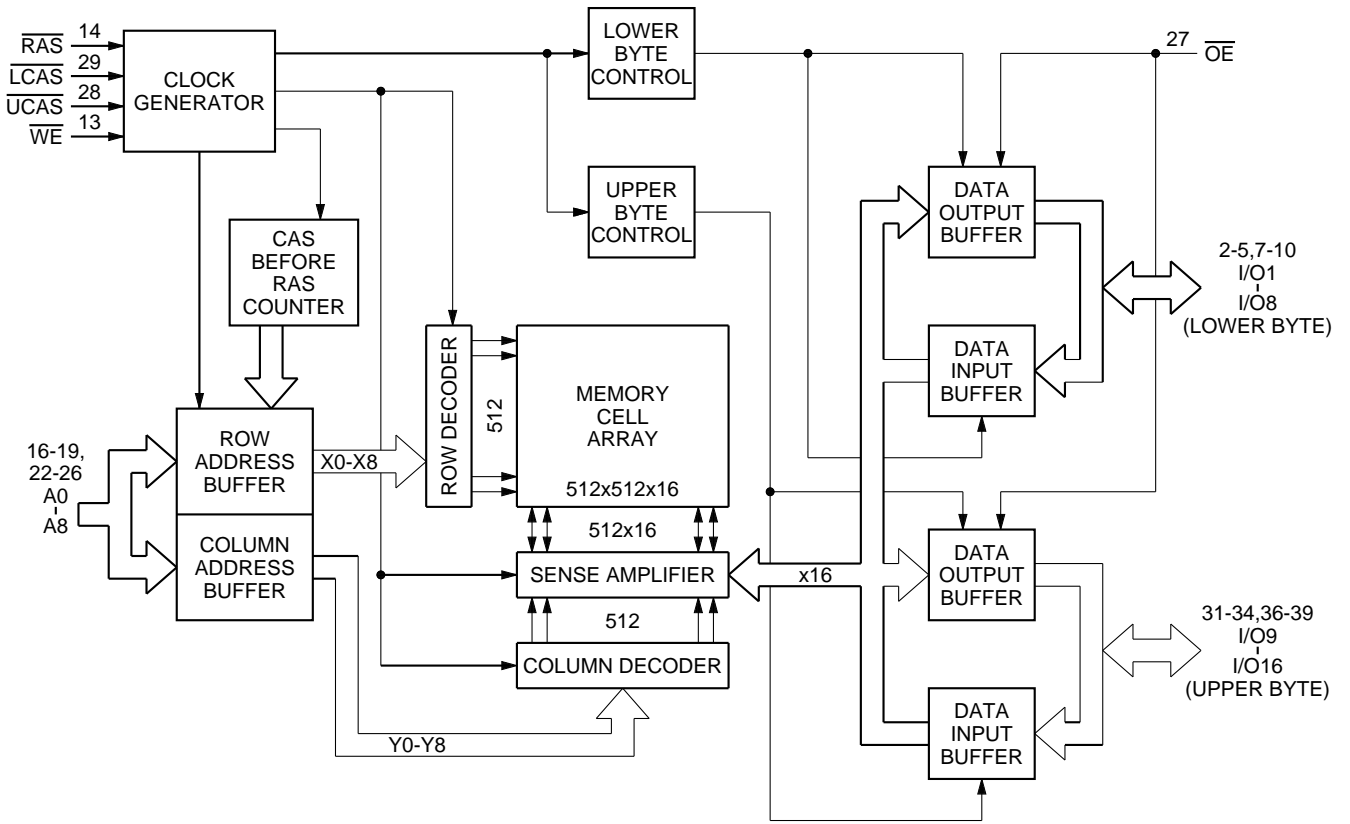

C-MOS 4M (262,144x16) BIT DYNAMIC RAM

- TOP VIEW -



- A0-8 ; ADDRESS INPUTS
- I/O1-16 ; DATA INPUTS/OUTPUTS
- $\overline{\text{RAS}}$; ROW ADDRESS STROBE INPUT
- $\overline{\text{UCAS}}$; COLUMN ADDRESS STROBE (UPPER) INPUT
- $\overline{\text{LCAS}}$; COLUMN ADDRESS STROBE (LOWER) INPUT
- $\overline{\text{WE}}$; WRITE ENABLE INPUT
- $\overline{\text{OE}}$; OUTPUT ENABLE INPUT



This datasheet has been downloaded from:

www.DatasheetCatalog.com

Datasheets for electronic components.