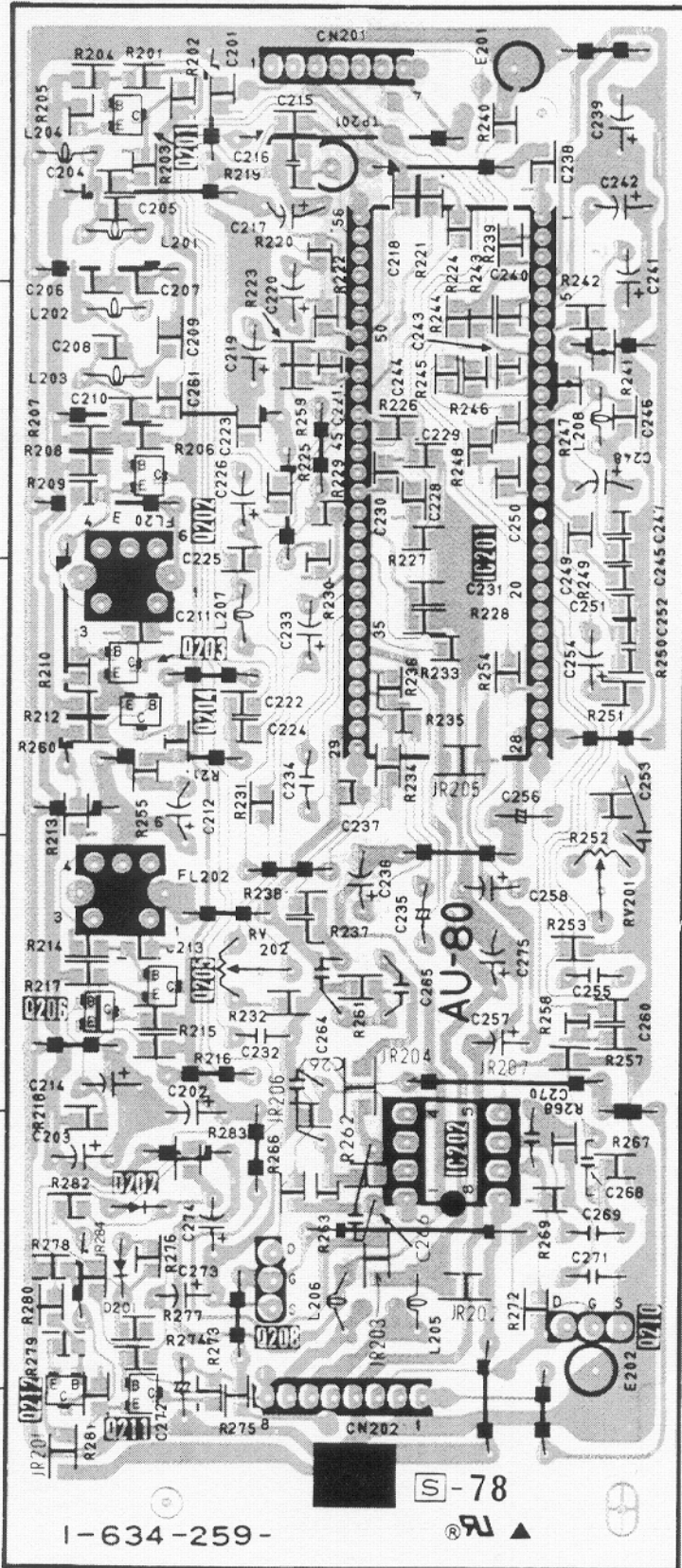


1 2 3 4 5 6 7

A
B
C
D
E
F
G
H
I
J

AU-80 BOARD

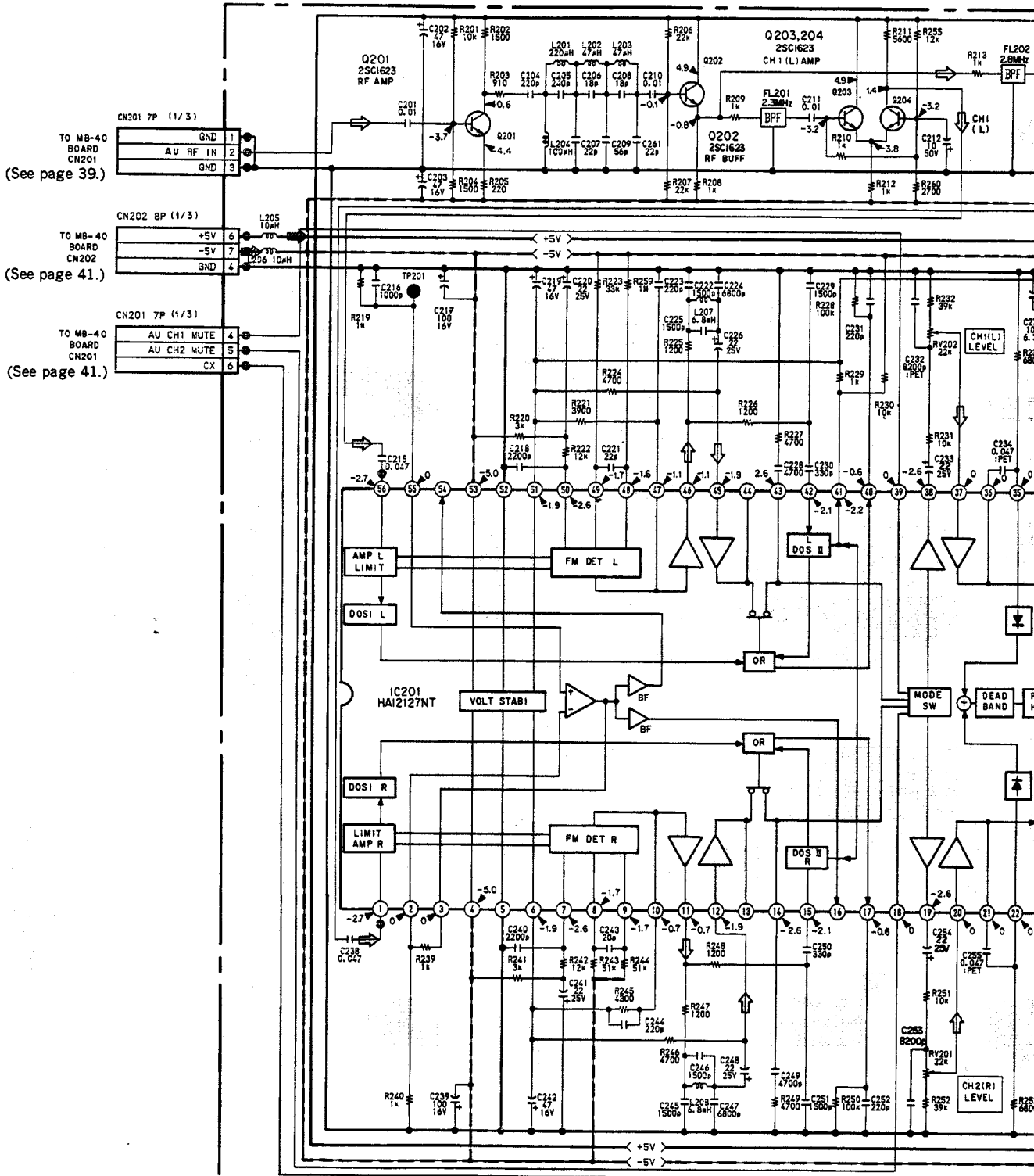


D201	E-1
D202	E-1
IC201	B-2
IC202	E-2
Q201	A-1
Q202	B-1
Q203	C-1
Q204	C-1
Q205	D-1
Q206	D-1
Q208	E-1
Q210	E-2
Q211	F-1
Q212	F-1

(See pa
(See pa
(See pa

1-634-259-

S-78
LR



CN201 7P (1/3)
 TO MB-40 BOARD
 CN201
 (See page 39.)

CN202 8P (1/3)
 TO MB-40 BOARD
 CN202
 (See page 41.)

CN201 7P (1/3)
 TO MB-40 BOARD
 CN201
 (See page 41.)

no mark : PB mode
 * : impossible to measure the voltage of the marked points.

1 2 3 4 5 6 7

A
B
C
D
E
F
G
H
I
J

