

Military 32K x 8 CMOS EPROM

KEY FEATURES

- **High Performance CMOS**
 - 120 ns Access Time
- **Fast Programming**
- **DESC SMD No. 5962-86063**
- **300 Mil DIP or Standard 600 Mil DIP**
- **Ceramic Leadless Chip Carrier (CLLCC)**
- **EPI Processing**
 - Latch-Up Immunity to 200 mA
 - ESD Protection Exceeds 2000 Volts
- **JEDEC Standard Pin Configuration**

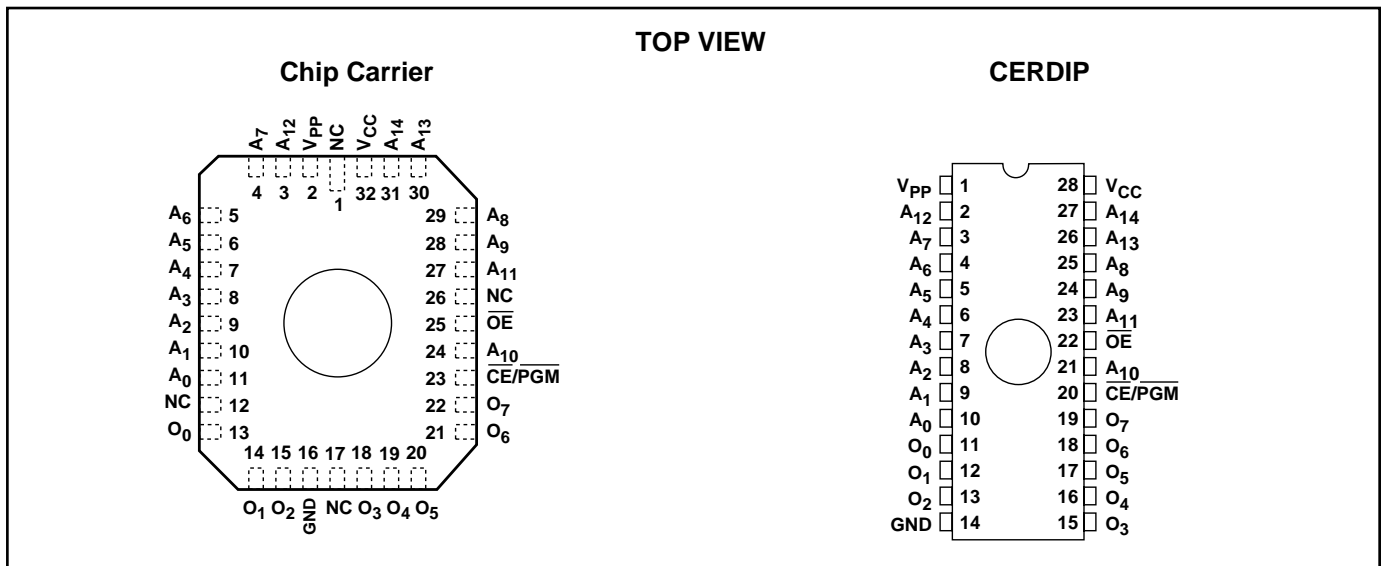
GENERAL DESCRIPTION

The WS27C256L is a performance oriented 256K UV Erasable Electrically Programmable Read Only Memory organized as 32K words x 8 bits/word. It is manufactured using an advanced CMOS technology which enables it to operate at speeds up to 120 nsecs. The memory was designed utilizing WSI's patented self-aligned split gate EPROM cell, resulting in a low power device with a very cost effective die size.

The WS27C256L 256K EPROM provides 32K of 8 bit wide code store capacity for DSP, microprocessor, and microcontroller-based systems. Its 120 nsec access time over the full Military temperature range provides the potential of no-wait state operation. And where this parameter is important, the WS27C256L provides the user with a very fast 35 nsec T_{OE} output enable time.

The WS27C256L is offered in a 28 pin 300 mil skinny CERDIP or the standard 600 mil CERDIP, and also in a 32 pad Ceramic Leadless Chip Carrier (CLLCC) for surface mount applications. All packages incorporate the standard JEDEC EPROM pinout.

PIN CONFIGURATION



PRODUCT SELECTION GUIDE

PARAMETER	WS27C256L-12	WS27C256L-15	WS27C256L-20
Address Access Time (Max)	120 ns	150 ns	200 ns
Chip Select Time (Max)	120 ns	150 ns	200 ns
Output Enable Time (Max)	35 ns	40 ns	40 ns

ABSOLUTE MAXIMUM RATINGS*

Storage Temperature.....-65° to + 150°C
 Voltage on any Pin with
 Respect to Ground-0.6V to +7V
 V_{PP} with Respect to Ground.....-0.6V to + 14V
 V_{CC} Supply Voltage with
 Respect to Ground-0.6V to +7V
 ESD Protection.....>2000V

***NOTICE:**

Stresses above those listed under "Absolute Maximum Ratings" may cause permanent damage to the device. This is a stress rating only and functional operation of the device at these or any other conditions above those indicated in the operational sections of this specification is not implied. Exposure to absolute maximum rating conditions for extended periods of time may affect device reliability.

OPERATING RANGE

RANGE	TEMPERATURE	V_{CC}
Military	-55°C to +125°C	+5V ± 10%

DC READ CHARACTERISTICS Over Operating Range. (See Above)

SYMBOL	PARAMETER	TEST CONDITIONS	MIN	MAX	UNITS
V_{IL}	Input Low Voltage		-0.5	0.8	V
V_{IH}	Input High Voltage		2.0	$V_{CC} + 1$	V
V_{OL}	Output Low Voltage	$I_{OL} = 2.1 \text{ mA}$		0.4	V
V_{OH}	Output High Voltage	$I_{OH} = -400 \mu\text{A}$	3.5		V
I_{SB1}	V_{CC} Standby Current (CMOS)	$\overline{CE} = V_{CC} \pm 0.3 \text{ V}$ (Note 2)		100	μA
I_{SB2}	V_{CC} Standby Current	$\overline{CE} = V_{IH}$		1	mA
I_{CC}	V_{CC} Active Current	$\overline{CE} = \overline{OE} = V_{IL}$ (Note 1)	F = 5 MHz	40	mA
			F = 8 MHz	50	mA
I_{PP}	V_{PP} Supply Current	$V_{PP} = V_{CC}$		100	μA
V_{PP}	V_{PP} Read Voltage		$V_{CC} - 0.4$	V_{CC}	V
I_{LI}	Input Leakage Current	$V_{IN} = 5.5 \text{ V}$ or Gnd	-10	10	μA
I_{LO}	Output Leakage Current	$V_{OUT} = 5.5 \text{ V}$ or Gnd	-10	10	μA

NOTES: 1. The supply current is the sum of I_{CC} and I_{PP} . The maximum current value is with Outputs O_0 to O_7 unloaded.
 2. CMOS inputs: $V_{IL} = \text{GND} \pm 0.3\text{V}$, $V_{IH} = V_{CC} \pm 0.3 \text{ V}$.

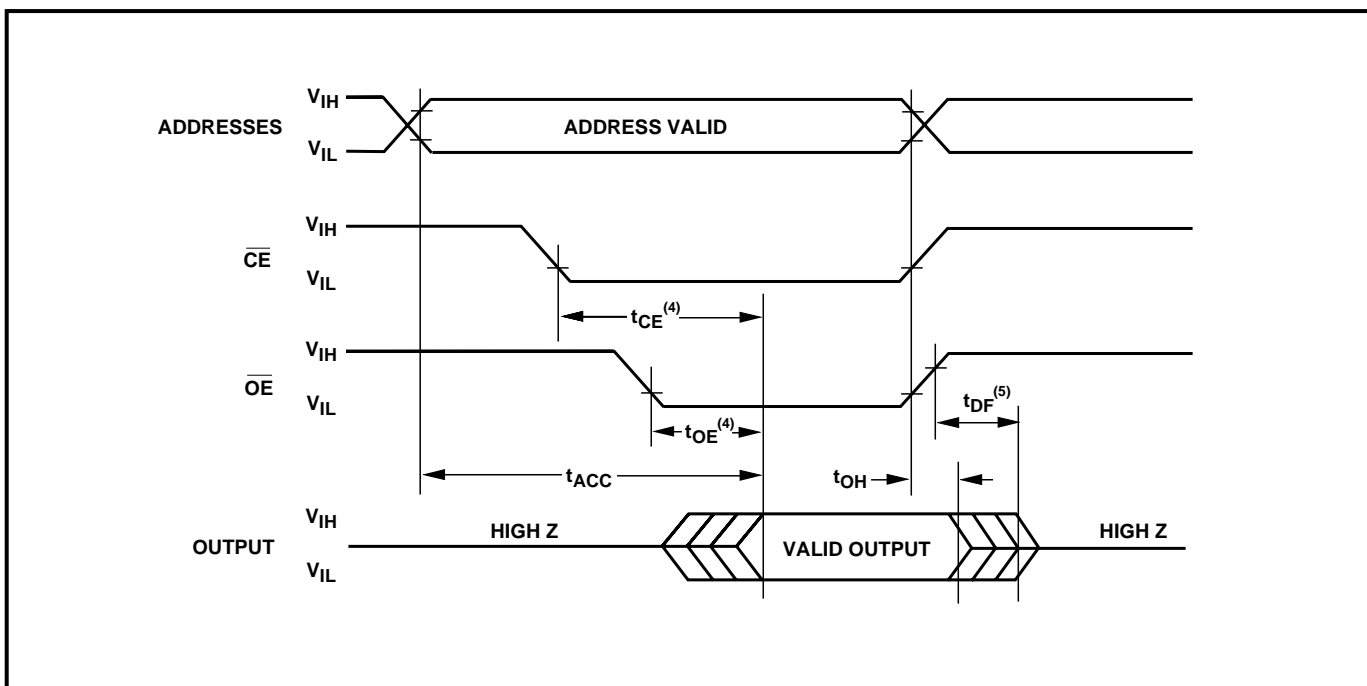
AC READ CHARACTERISTICS Over Operating Range (See Above)

SYMBOL	PARAMETER	WS27C256L-12		WS27C256L-15		WS27C256L-20		UNITS
		MIN	MAX	MIN	MAX	MIN	MAX	
t_{ACC}	Address to Output Delay		120		150		200	ns
t_{CE}	\overline{CE} to Output Delay		120		150		200	
t_{OE}	\overline{OE} to Output Delay		35		40		40	
t_{DF}	Output Disable to Output Float (Note 3)		35		40		40	
t_{OH}	Output Hold From Addresses, \overline{CE} or \overline{OE} , Whichever Occurred First (Note 3)	0		0		0		

NOTE: 3. This parameter is only sampled and is not 100% tested. Output Float is defined as the point where data is no longer driven – see timing diagram.



AC READ TIMING DIAGRAM



NOTE: 4. \overline{OE} may be delayed up to $t_{CE} - t_{OE}$ after the falling edge of \overline{CE} without impact on t_{CE} .

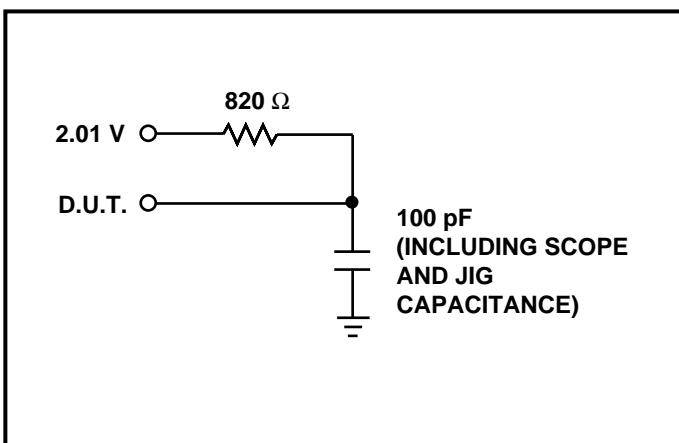
CAPACITANCE⁽⁵⁾ $T_A = 25^\circ\text{C}$, $f = 1\text{ MHz}$

SYMBOL	PARAMETER	CONDITIONS	TYP ⁽⁶⁾	MAX	UNITS
C_{IN}	Input Capacitance	$V_{IN} = 0\text{V}$	4	6	pF
C_{OUT}	Output Capacitance	$V_{OUT} = 0\text{V}$	8	12	pF
C_{VPP}	V_{PP} Capacitance	$V_{PP} = 0\text{V}$	18	25	pF

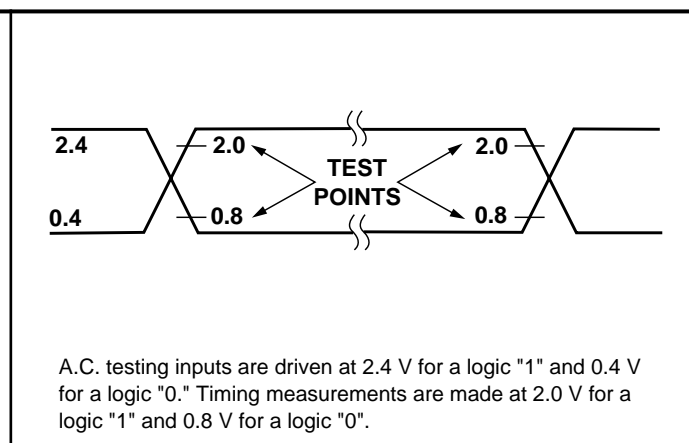
NOTES: 5. This parameter is only sampled and is not 100% tested.

6. Typical values are for $T_A = 25^\circ\text{C}$ and nominal supply voltages.

TEST LOAD (High Impedance Test Systems)



A.C. TESTING INPUT/OUTPUT WAVEFORM



NOTE: 7. Provide adequate decoupling capacitance as close as possible to this device to achieve the published A.C. and D.C. parameters. A 0.1 microfarad capacitor in parallel with a 0.01 microfarad capacitor connected between V_{CC} and ground is recommended. Inadequate decoupling may result in access time degradation or other transient performance failures.



PROGRAMMING INFORMATION

DC CHARACTERISTICS ($T_A = 25 \pm 5^\circ\text{C}$, $V_{CC} = 6.0 \pm 0.25\text{ V}$, $V_{PP} = 12.5 \pm 0.5\text{ V}$. See Notes 8, 9 and 10)

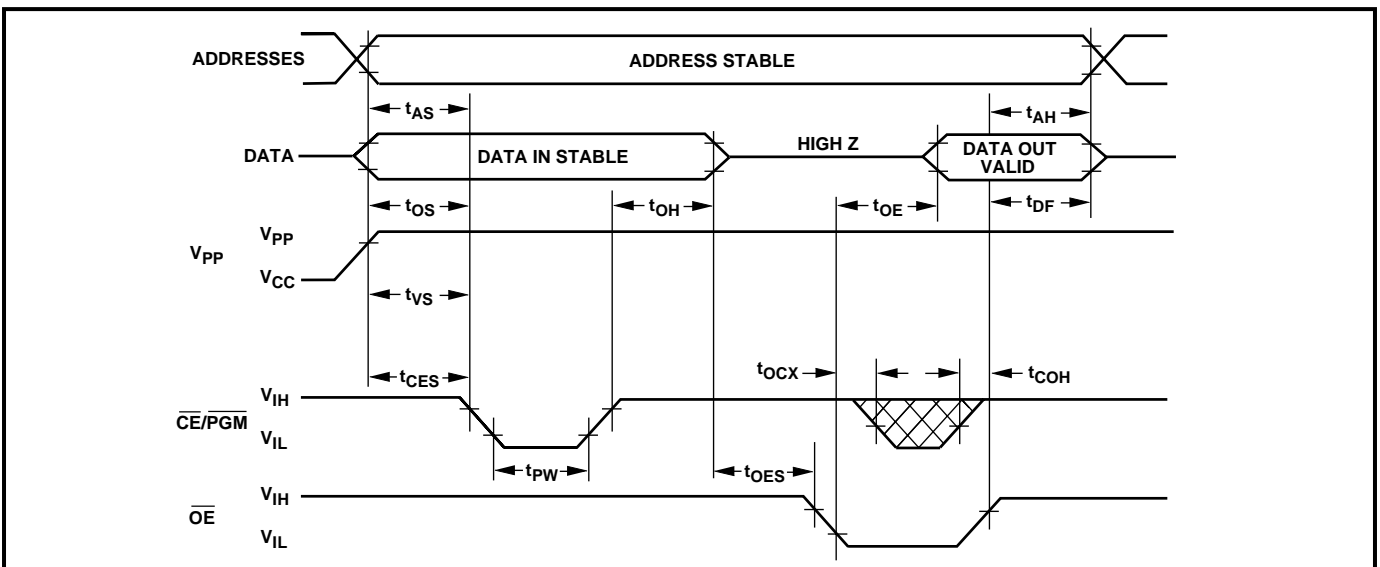
SYMBOLS	PARAMETER	MIN	MAX	UNITS
I_{LI}	Input Leakage Current ($V_{IN} = V_{CC}$ or Gnd)	-10	10	μA
I_{PP}	V_{PP} Supply Current During Programming Pulse ($\overline{\text{CE}}/\text{PGM} = V_{IL}$)		60	mA
I_{CC}	V_{CC} Supply Current		40	mA
V_{IL}	Input Low Voltage	-0.1	0.8	V
V_{IH}	Input High Voltage	2.0	$V_{CC} + 0.3$	V
V_{OL}	Output Low Voltage During Verify ($I_{OL} = 2.1\text{ mA}$)		0.4	V
V_{OH}	Output High Voltage During Verify ($I_{OH} = -400\ \mu\text{A}$)	3.5		V

- NOTES:** 8. V_{CC} must be applied either coincidentally or before V_{PP} and removed either coincidentally or after V_{PP} .
 9. V_{PP} must not be greater than 14 volts including overshoot. During $\overline{\text{CE}}/\text{PGM} = V_{IL}$, V_{PP} must not be switched from 5 volts to 12.5 volts or vice-versa.
 10. During power up the $\overline{\text{CE}}/\text{PGM}$ pin must be brought high ($\geq V_{IH}$) either coincident with or before power is applied to V_{PP} .

AC CHARACTERISTICS ($T_A = 25 \pm 5^\circ\text{C}$, $V_{CC} = 6.0 \pm 0.25\text{ V}$, $V_{PP} = 12.5 \pm 0.5\text{ V}$)

SYMBOLS	PARAMETER	MIN	TYP	MAX	UNITS
t_{AS}	Address Setup Time	2			μs
t_{COH}	$\overline{\text{CE}}$ High to $\overline{\text{OE}}$ High	2			μs
t_{OES}	Output Enable Setup Time	2			μs
t_{OS}	Data Setup Time	2			μs
t_{AH}	Address Hold Time	0			μs
t_{OH}	Data Hold Time	2			μs
t_{DF}	Chip Disable to Output Float Delay	0		55	ns
t_{OE}	Data Valid From Output Enable			55	ns
t_{VS}	V_{PP} Setup Time	2			μs
t_{PW}	$\overline{\text{PGM}}$ Pulse Width	500		1000	μs
t_{OCX}	$\overline{\text{OE}}$ Low to $\overline{\text{CE}}$ "Don't Care"	2			μs

PROGRAMMING WAVEFORM



MODE SELECTION

The modes of operation of the WS27C256L are listed below. A single 5 V power supply is required in the read mode. All inputs are TTL levels except for V_{PP} and A_9 for device signature.

MODE	PINS	$\overline{CE}/\overline{PGM}$	\overline{OE}	A_9	A_0	V_{PP}	V_{CC}	OUTPUTS
Read		V_{IL}	V_{IL}	X	X	V_{CC}	5.0 V	D_{OUT}
Output Disable		X	V_{IH}	X	X	V_{CC}	5.0 V	High Z
Standby		V_{IH}	X	X	X	V_{CC}	5.0 V	High Z
Programming		V_{IL}	V_{IH}	X	X	$V_{PP}^{(12)}$	5.8 V	D_{IN}
Program Verify		X	V_{IL}	X	X	$V_{PP}^{(12)}$	5.8 V	D_{OUT}
Program Inhibit		V_{IH}	V_{IH}	X	X	$V_{PP}^{(12)}$	5.0 V	High Z
Signature	Manufacturer ⁽¹³⁾	V_{IL}	V_{IL}	$V_H^{(12)}$	V_{IL}	V_{CC}	5.0 V	23 H
	Device ⁽¹³⁾	V_{IL}	V_{IL}	$V_H^{(12)}$	V_{IH}	V_{CC}	5.0 V	C0 H

- NOTES:** 11. X can be V_{IL} or V_{IH} .
 12. $V_H = V_{PP} = 12.5 \pm 0.5$ V.
 13. $A_1 - A_8, A_{10} - A_{14} = V_{IL}$.

ORDERING INFORMATION

PART NUMBER	SPEED (ns)	PACKAGE TYPE	PACKAGE DRAWING	OPERATING TEMPERATURE RANGE	WSI MANUFACTURING PROCEDURE
WS27C256L-12CMB*	120	32 Pad CLLCC	C2	Military	MIL-STD-883C
WS27C256L-12DMB*	120	28 Pin CERDIP, 0.6"	D2	Military	MIL-STD-883C
WS27C256L-12TMB*	120	28 Pin CERDIP, 0.3"	T2	Military	MIL-STD-883C
WS27C256L-15DMB*	150	28 Pin CERDIP, 0.6"	D2	Military	MIL-STD-883C
WS27C256L-15TMB*	150	28 Pin CERDIP, 0.3"	T2	Military	MIL-STD-883C
WS27C256L-20DMB*	200	28 Pin CERDIP, 0.6"	D2	Military	MIL-STD-883C

NOTE: The actual part marking will not include the initials "WS."

*SMD product. See page 4-1 for SMD number.

PROGRAMMING/ALGORITHMS/ERASURE/PROGRAMMERS

**REFER TO
PAGE 5-1**

The WS27C256L is programmed using Algorithm C shown on page 5-7.

This datasheet has been download from:

www.datasheetcatalog.com

Datasheets for electronics components.